



Easy Diesel Hand Starting With  Kineteco Spring Starters

## Simms SZ Series Spring Starter Specifications

<b>Description</b>	Steel bodied Spring starter with spiral Powerspring wound by a detachable handle, set and tripped by hand. Incorporating a heavy duty gear box.
<b>Rotation of starter</b>	Clockwise viewed on the pinion
<b>Engine capacity</b>	Max. 6 cylinders, up to 1 litre per cylinder
<b>Torque (Range)</b>	20 - 73 Nm Incremental
<b>No. of output turns</b>	4.4 - 16 Incremental
<b>Output energy</b>	Nom. 950 Joules
<b>Cold Starting</b>	To 0°C, some engines require starting aids at lower temperatures.
<b>Maximum winding load</b>	23 Nm Torque
<b>To wind fully</b>	18 turns of the handle
<b>Mounting flange types</b>	SAE 1, SAE2/3, SAE 4/5, Ford
<b>Pinions</b>	10/12, 8/10, 6/8 Fellows stub Metric Module 2.5,3
<b>Cord pull / winding handle position</b>	Variable in 7.5° increments
<b>Weight</b>	16Kgs
<b>Shipping dimensions</b>	33 x 20 x 20 cms
<b>Standard equipment</b>	Winding handle and handbook
<b>Options - Details as above with the following variations</b>	
<b>Reverse rotation model</b>	SZR
<b>Overhung pinion</b>	SZNS, SZNR subject to availability
<b>Lightweight Model</b>	Special order

Kineteco International Ltd., Unit 16 Willesborough Industrial Park, Ashford, Kent, UK, TN24 0TD.

Phone: +44 (0)1233 811500 | Fax: +44 (0)1233 221571

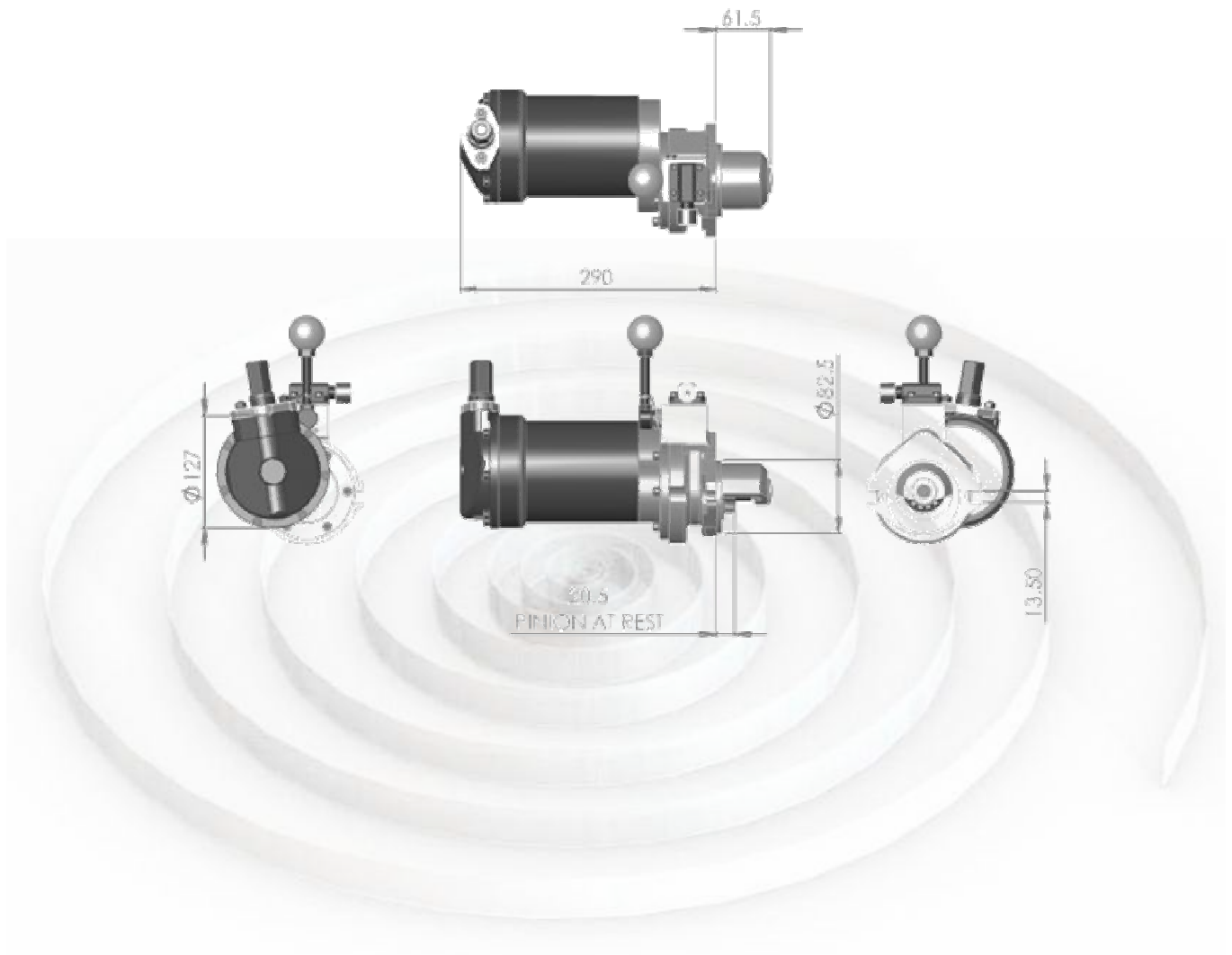
Website: [www.springstarter.com](http://www.springstarter.com) | Email: [sales@springstarter.com](mailto:sales@springstarter.com)

Kineteco International acts as agent for its parent company Pentham Powerspring Ltd; Registered in England No: 3394741, Registered address as above.

# Springstarter

Easy Diesel Hand Starting With **Kineteco** Spring Starters

## Simms SZ Series Spring Starter Typical Dimensions



Kineteco International Ltd., Unit 16 Willesborough Industrial Park, Ashford, Kent, UK, TN24 0TD.

Phone: +44 (0)1233 811500 | Fax: +44 (0)1233 221571

Website: [www.springstarter.com](http://www.springstarter.com) | Email: [sales@springstarter.com](mailto:sales@springstarter.com)

Kineteco International acts as agent for its parent company Pentham Powerspring Ltd; Registered in England No: 3394741, Registered address as above.