

Springstarter

Easy Diesel Hand Starting With  Kineteco Spring Starters

Simms SZH2 Series Spring Starter Specifications

| | |
|---|---|
| Description | Steel bodied Z-drive Spring starter with a high-energy spiral power spring wound by a detachable handle, set and tripped by hand. Incorporating a heavy-duty alloy gearbox. |
| Rotation of starter | Clockwise viewed on the pinion |
| Engine capacity | Max. 6 cylinders, to over 2.25 litre per cylinder. Subject to local environmental conditions. |
| Torque (Range) | 29.5 - 112 Nm Incremental |
| No. of output turns | 5 - 19 Incremental |
| Output energy | Nom. 2510 Joules |
| Cold Starting | To 5°C, some engines require starting aids at lower temperatures. |
| Maximum winding load | 40 Nm Torque |
| To wind fully | 35 turns of the handle |
| Mounting flange types | SAE 1, SAE2/3, SAE 4/5, Ford |
| Pinions | 10/12, 8/10, 6/8 Fellows stub Metric Module 2.5,3 |
| Cord pull / winding handle position | Variable in 5° increments |
| Weight | 24kgs |
| Shipping dimensions | 40 x 22 x 27 cm |
| Standard equipment | Winding handle and operating instructions |
| Options - Details as above with the following variations | |
| Reverse rotation model | SZH2R |
| Torque (Range) | 29.5 - 112 Nm Incremental |
| No. of output turns | 5 - 19 Incremental |
| Noseless | SMNS, SMNR subject to availability |
| Power limited (High Revolutions) | Yes |
| High Torque (Low Revolutions) | Yes |

Kineteco International Ltd., Unit 16 Willesborough Industrial Park, Ashford, Kent, UK, TN24 0TD.

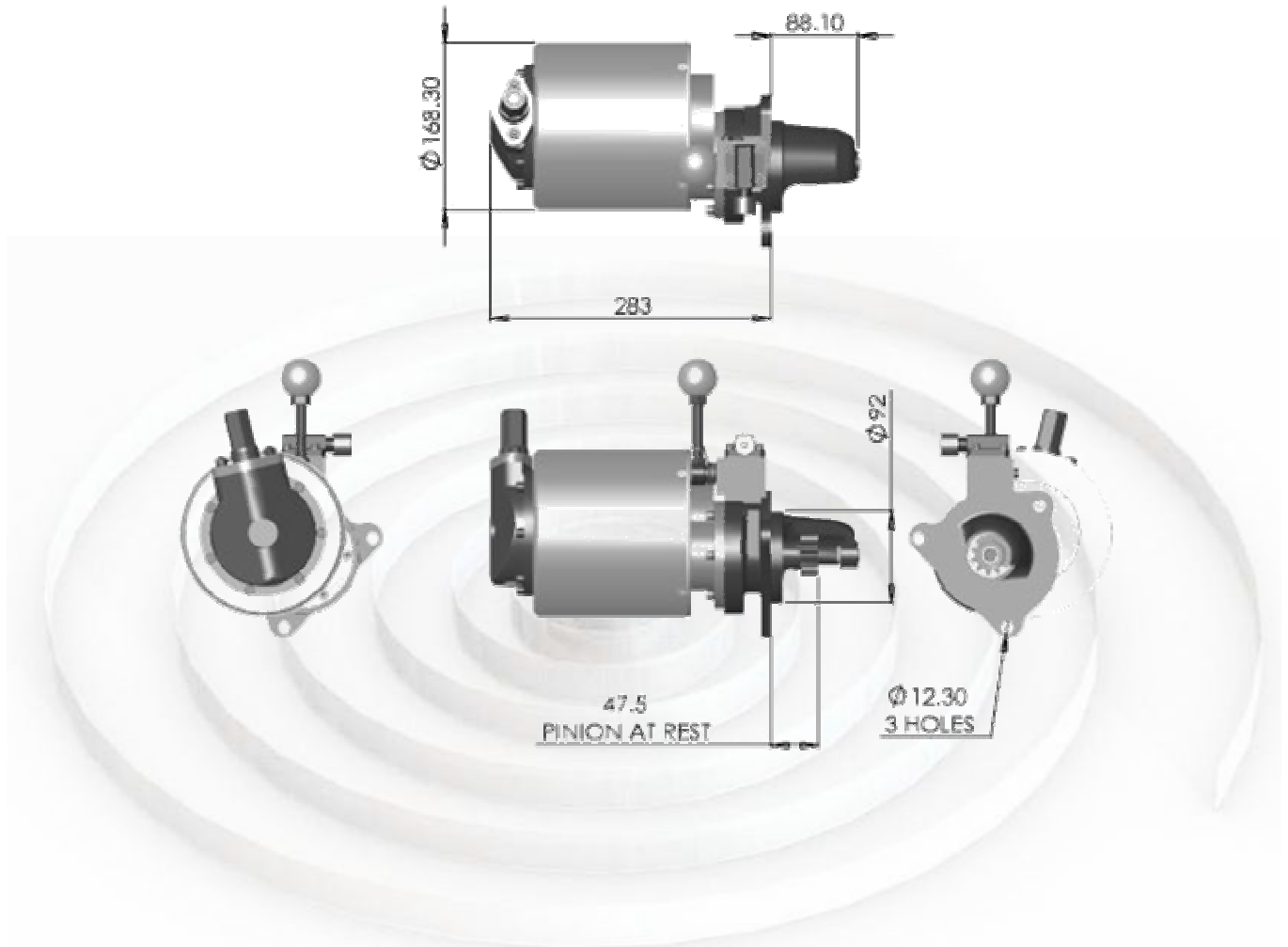
Phone: +44 (0)1233 811500 | Fax: +44 (0)1233 221571

Website: www.springstarter.com | Email: sales@springstarter.com

Springstarter

Easy Diesel Hand Starting With **Kineteco** Spring Starters

Simms SZH2 Series Spring Starter Typical Dimensions



Kineteco International Ltd., Unit 16 Willesborough Industrial Park, Ashford, Kent, UK, TN24 0TD.

Phone: +44 (0)1233 811500 | Fax: +44 (0)1233 221571

Website: www.springstarter.com | Email: sales@springstarter.com

Kineteco International acts as agent for its parent company Pentham Powerspring Ltd; Registered in England No: 3394741, Registered address as above.