

Product Specifications

| | |
|------------------------------|--------------------------------|
| Housing and End Cap Material | Steel |
| ACB15C-7111C Port Size | 3/8" NPTF |
| ACB30C-7109C Port Size | 3/8" NPTF |
| ACB30C-7110C Port Size | 3/4" NPTF |
| Piston Material | Aluminum |
| Sealing Material | Buna-N |
| Back-Up/ Wear Ring Material | Teflon |
| Gas Valve Material | Stainless Steel |
| Max Working Pressure | 3,000 psi (206 bar) |
| Proof Pressure | 3,900 psi (269 bar) |
| Temp. Range | -20°F to 200°F (-29°C to 93°C) |
| Seal Kit Part Number | KT-203305-1 |

ACB Series

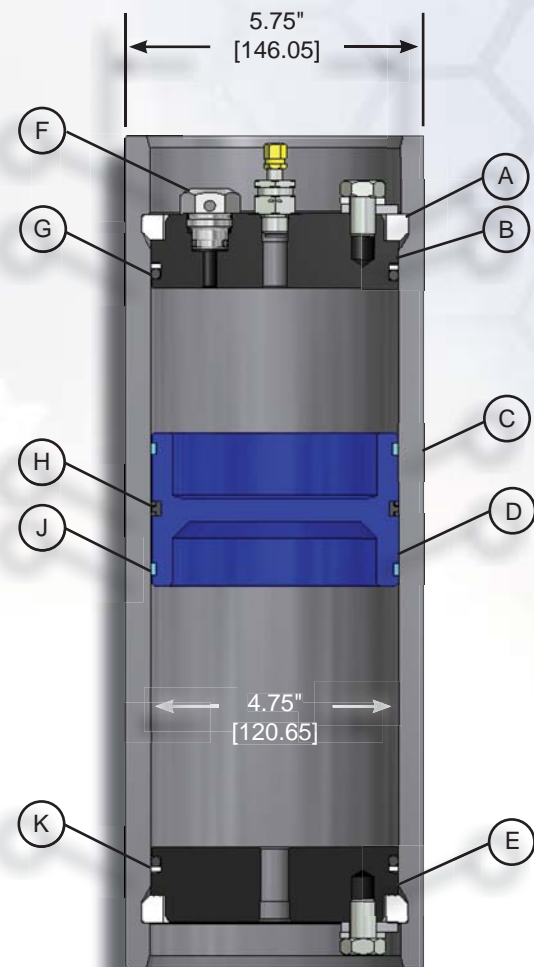
ASME Approved

4.75" bore, 3000 psi

Piston Accumulators

Parts Legend

| Item | Description |
|------|-------------------------|
| A | Segment Rings (2 req'd) |
| B | Gas Cap |
| C | Housing |
| D | Piston |
| E | Oil Cap |
| F | Fuse Assembly |
| G | O-Rings (2 req'd) |
| H | Piston Seal |
| J | Wear Ring |
| K | Back-Up Rings (2 req'd) |



**Certified ASME
Pressure Vessel**



**Recognized by U.S.
Coast Guard**



Model Variations

| Model No. | Nominal Size | | Oil Volume | | Gas Volume | | Overall Length | | Weight | |
|--------------|--------------|--------|------------|--------|------------|--------|----------------|---------|--------|----|
| | gal | liters | in3 | liters | in3 | liters | in | mm | lbs | kg |
| ACB15C-7111C | 1.50 | 4.88 | 312 | 5.11 | 313 | 5.13 | 25.00 | 635.00 | 91 | 42 |
| ACB30C-7109C | 3.00 | 10.69 | 667 | 10.93 | 668 | 10.94 | 45.00 | 1143.00 | 115 | 52 |
| ACB30C-7110C | 3.00 | 10.69 | 667 | 10.93 | 668 | 10.94 | 45.00 | 1143.00 | 115 | 52 |

FORM: ACBU3K_A