

Product Specifications

Housing and End Cap Material	Steel
Standard Port Size	2" NPTF
Piston Material	Aluminum
Sealing Material	Buna-N
Back-Up/ Wear Ring Material	Teflon
Gas Valve Material	Stainless Steel
Max Working Pressure	5,000 psi (345 bar)
Proof Pressure	7,500 psi (517 bar)
Burst Pressure	20,000 psi (1378 bar)
Temp. Range	-20°F to 200°F (-29°C to 93°C)
Seal Kit Part Number	KT-203306-1

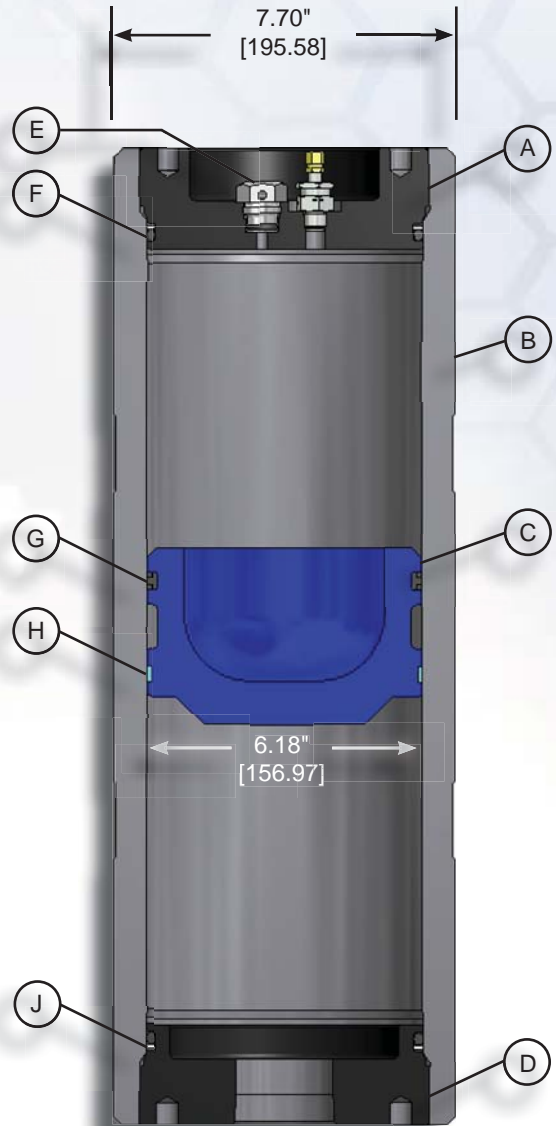
Parts Legend

Item	Description
A	Oil Cap
B	Housing
C	Piston
D	Oil Cap
E	Fuse Assembly
F	O-Rings (2 req'd)
G	Piston Seal
H	Wear Ring
J	Back-Up Rings (2 req'd)

Designed per
ASME,
Section VIII, Div. 1
Standards

ACD Series

**6.18" bore, 5000 psi
Piston Accumulators**



Model Variations

Model No.	Nominal Size		Oil Volume		Gas Volume		Overall Length		Weight	
	gal	liters	in ³	liters	in ³	liters	in	mm	lbs	kg
ACD50B-32P-NT-4	5.00	18.93	1095	17.95	1142	18.72	44.38	1127.26	250	113
ACD75B-32P-NT-4	7.50	28.39	1661	27.22	1708	27.99	63.25	1606.55	330	150
ACD100B-32P-NT-4	10.00	37.85	2228	36.52	2275	37.29	82.13	2086.11	425	193
ACD125B-32P-NT-4	12.50	47.32	2840	46.55	2887	47.32	102.63	2606.81	530	240
ACD150B-32P-NT-4	15.00	56.78	3440	56.38	3487	57.15	122.63	3114.81	630	286

FORM: ACD5K B