

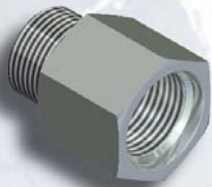
Product Specifications

Calibrated for Use With:	CMD-3A Series Starters
Housing Material:	Aluminum
Maximum Working Pressure:	3000 psi (206 bar)
Maximum Flow Rate:	52 GPM (200 l/min)
Weight:	0.50 lb. (0.23 kg)
Inlet Connection:	3/4" BSPP
Outlet Connection:	3/4" BSPP

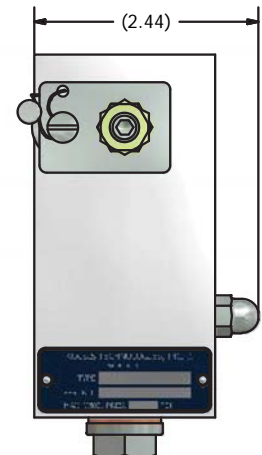
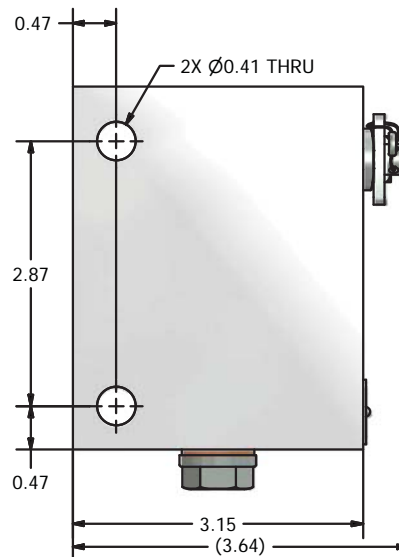
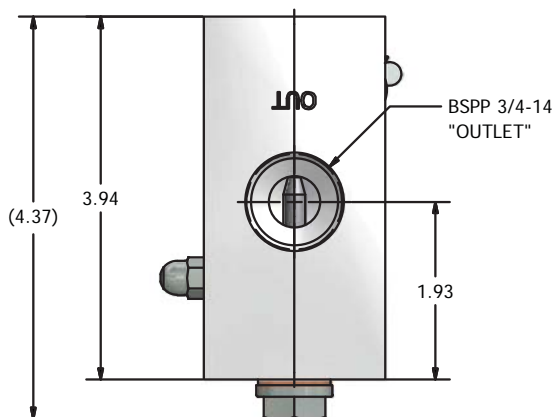
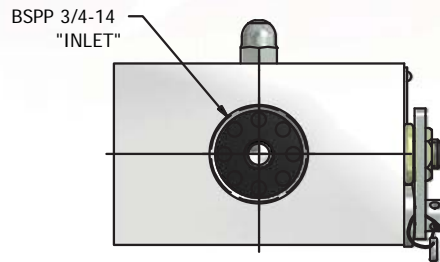
VA-308232

Soft Engage Valve

CMD-3A Calibration



Also Available FI-208199
Convert from 3/4" BSPP to
SAE #12 O-Ring Port
(Consult Factory for Pricing)



FORM: SEVCMD3A A