

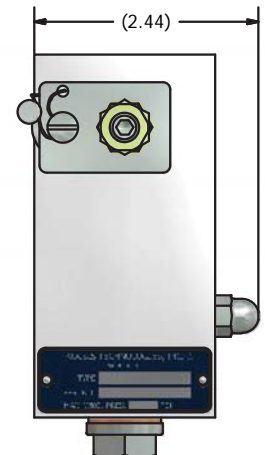
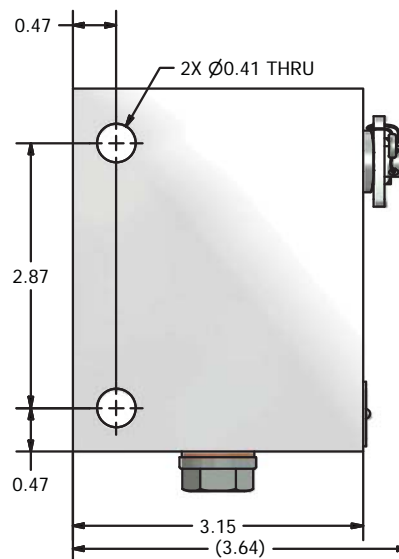
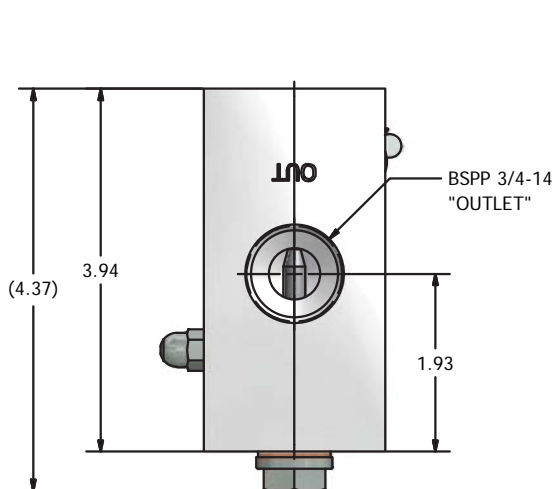
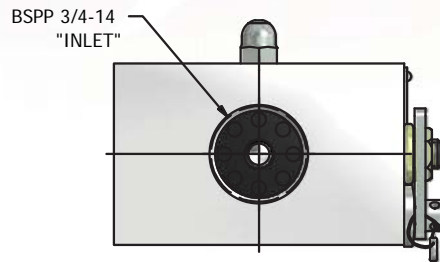
Product Specifications

Calibrated for Use With:	CME Series Starters
Housing Material:	Aluminum
Maximum Working Pressure:	3000 psi (206 bar)
Maximum Flow Rate:	52 GPM (200 l/min)
Weight:	0.50 lb. (0.23 kg)
Inlet Connection:	3/4" BSPP
Outlet Connection:	3/4" BSPP

VA-308205

Soft Engage Valve

CME Calibration



FORM: SEVCME5A A