

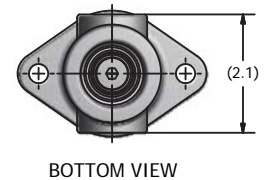
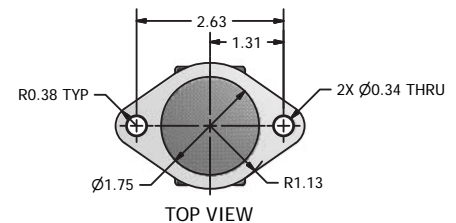
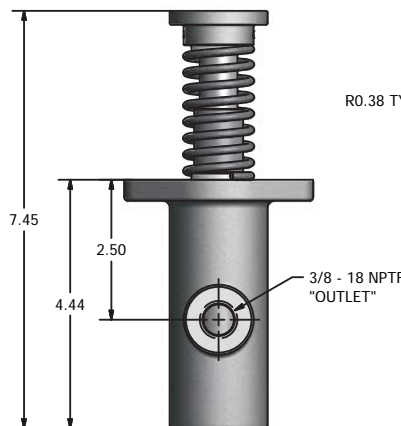
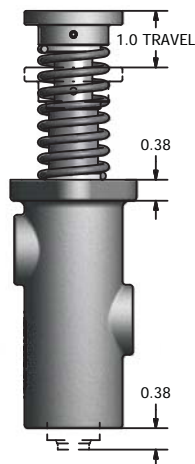
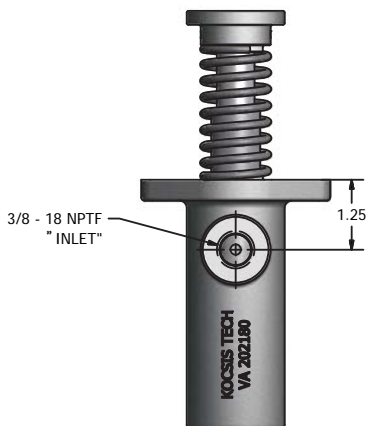
Product Specifications

Housing Material:	Aluminum
Pedal Material:	Aluminum
Maximum Working Pressure:	3000 psi (206 bar)
Maximum Flow Rate:	20 GPM (75.7 l/min)
Weight:	1.50 lbs. (0.68 kg)
Inlet Connection:	3/8" NPTF
Outlet Connection:	3/8" NPTF
Force Required to Open:	65.00 lbs. (29.50 kg)

VA-202180 Foot Valve



Also offered in
Ductile Iron
KTI Part Number:
VA-308167



FORM: FV_A