

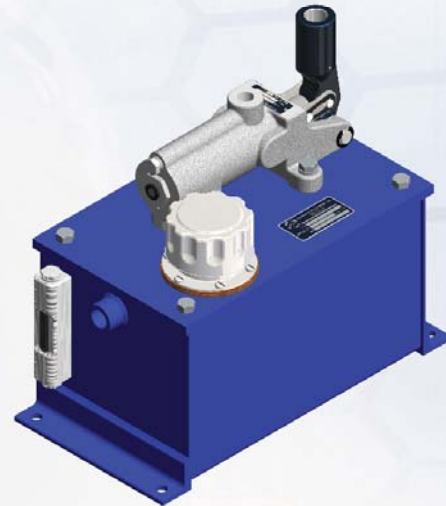
Tank Specifications

Material:	Heavy Gage Steel
Construction:	Welded
Capacity:	2 gallons (9.1 liters)
Features:	Combo Sight and Temp Gage
Mounting Options:	Foot Mount

Pump Specifications

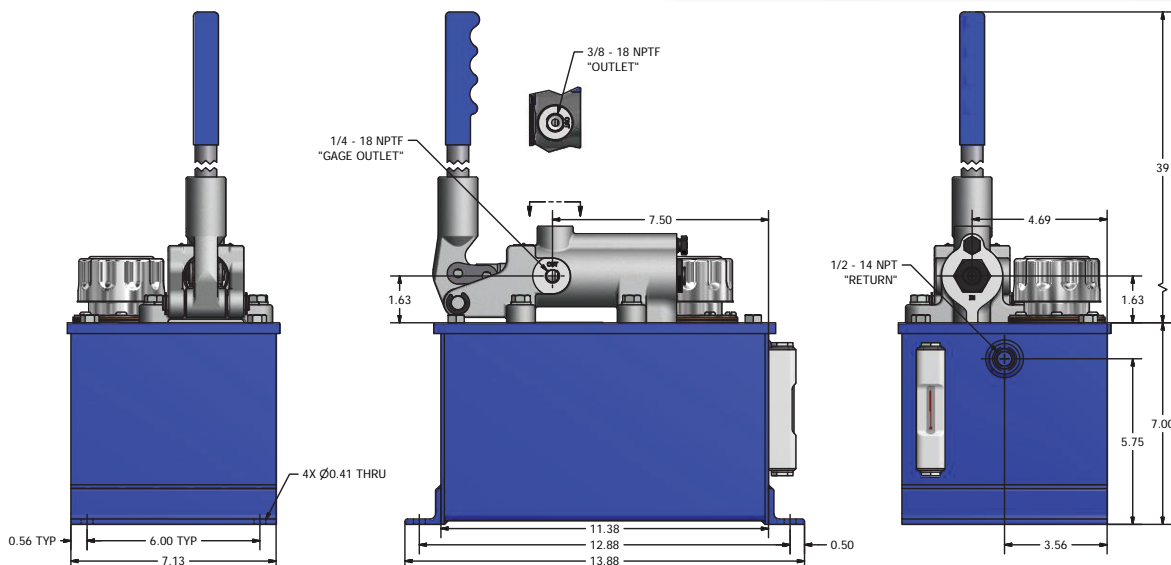
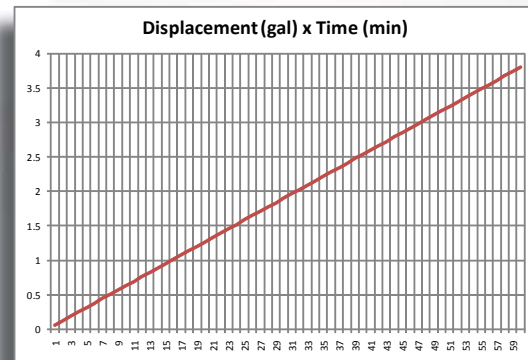
Housing:	Aluminum
Piston:	Stainless Steel
Handle:	Cold Rolled Steel
O-ring seals:	Buna-N
Back-up rings:	Teflon
By-pass relief:	Manual
Displacement:	1.22 cu. in. (19.99 cu. cm.) per cycle
MAWP:	3000 psi (207 bar)
Force req'd at 3000 psi:	48.5 lbs. (22 kg)
Recommended Fluid:	Red hydraulic fluid (MIL-H-5606)
Inlet Connection:	3/8" NPTF (2 locations)
Outlet Connection:	3/8" NPTF
Seal Kit Part Number:	KT-202565

HPB-300141 Hand Pump Tank Assembly



Assembly Weight:	30 lbs. (13.6 kgs)
-------------------------	---------------------------

Note: The graph shown to the right assumes a user can complete one cycle (1.22 in³) every 5 seconds [12 cycles per minute] & remain consistent during a period of 60 minutes. Consult Kocsis Technologies, Inc. engineering for theoretical recharging time for your specific application.



FORM: HPB4_B