

## Product Specifications

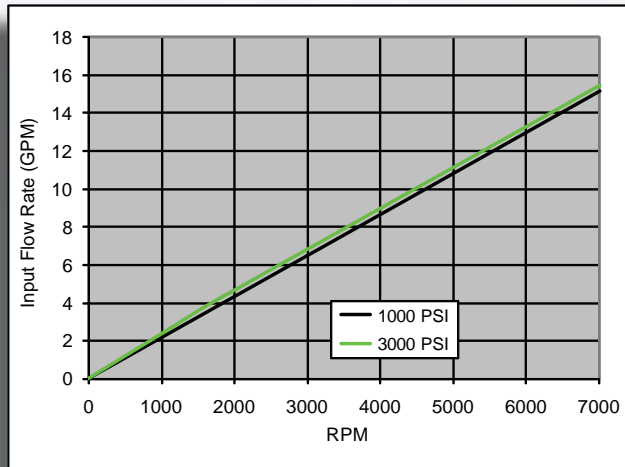
Flange type:	SPECIAL
Flange to ring gear dimension:	0.098"
Number of teeth:	12
Diametral pitch:	8/10
Pinion outside diameter:	1.825"
Pressure angle:	20°
Rotation:	Clockwise
Motor housing:	Aluminum
Pinion housing:	Aluminum
Barrel:	Steel
Piston:	Bronze Alloy
Number of pistons:	7
Displacement:	0.50 in <sup>3</sup> /REV
Speed range:	0-7000 RPM
Drive type:	Inertia
Maximum working pressure:	3000 PSI
Duty cycle:	Intermittent
Maximum torque:	15 Ft-lbs
Weight:	11.0 lbs
Overall volumetric efficiency:	92%
Recommended fluid:	Red hydraulic fluid (MIL-H-5606)

# CMO-308121-A

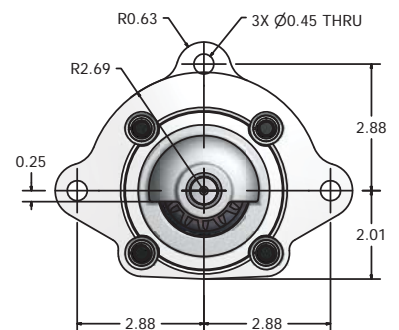
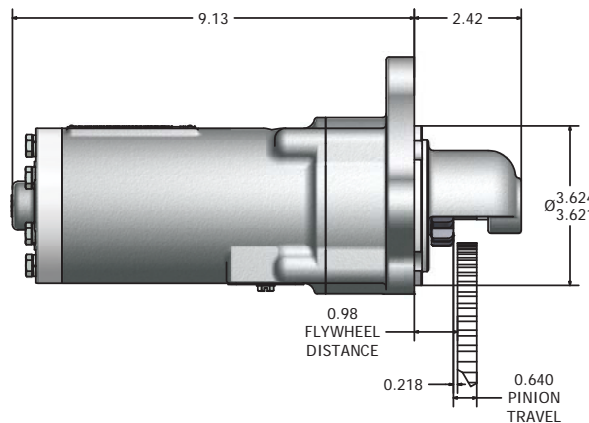
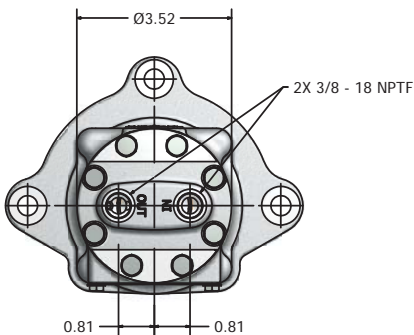
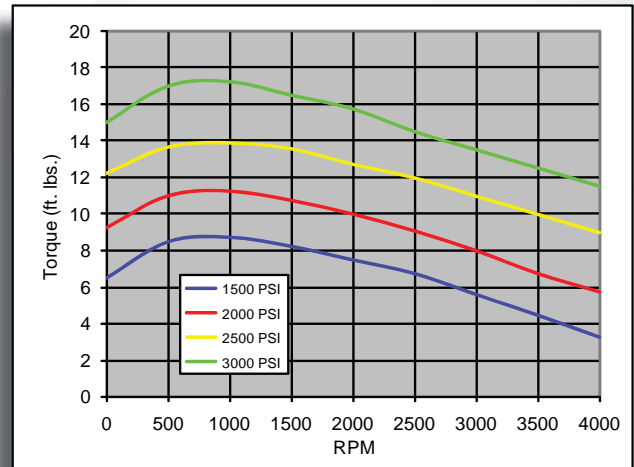


[Login to view other models](#)

## Flow vs. Speed



## Torque vs. Speed



FORM:CMO308121A\_A