

Product Specifications

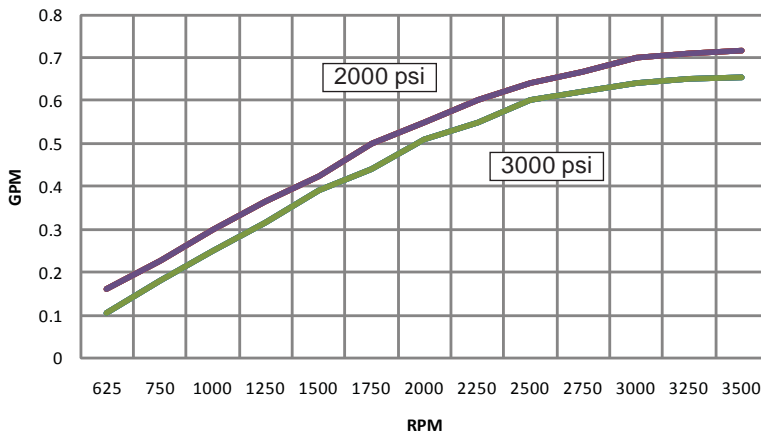
Pump Type:	Fixed Displacement Piston Type
Rotation:	CW or CCW
Speed:	600 RPM to 3000 RPM*
Unloading Valve:	Integral and Pressure Adjustable
Normal Pressure Cut Out:	3000 psi (207 bar)
Normal Pressure Cut In:	2500 psi (172 bar)
Weight:	7.5 lbs. (3.4 kg)
MAWP:	3000 psi (207 bar)
Recommended Fluid:	Red hydraulic fluid (MIL-H-5606)
Inlet Connection:	3/8" NPTF
Outlet Connection:	1/4" NPTF
Dump Connection:	1/4" NPTF
Output Shaft:	14 Tooth Spline
Flange:	2 Bolt, SAE C

*Operation at speeds in excess of 3000 RPM may result in pump damage. Please consult factory on high speed applications.

RPA-308295



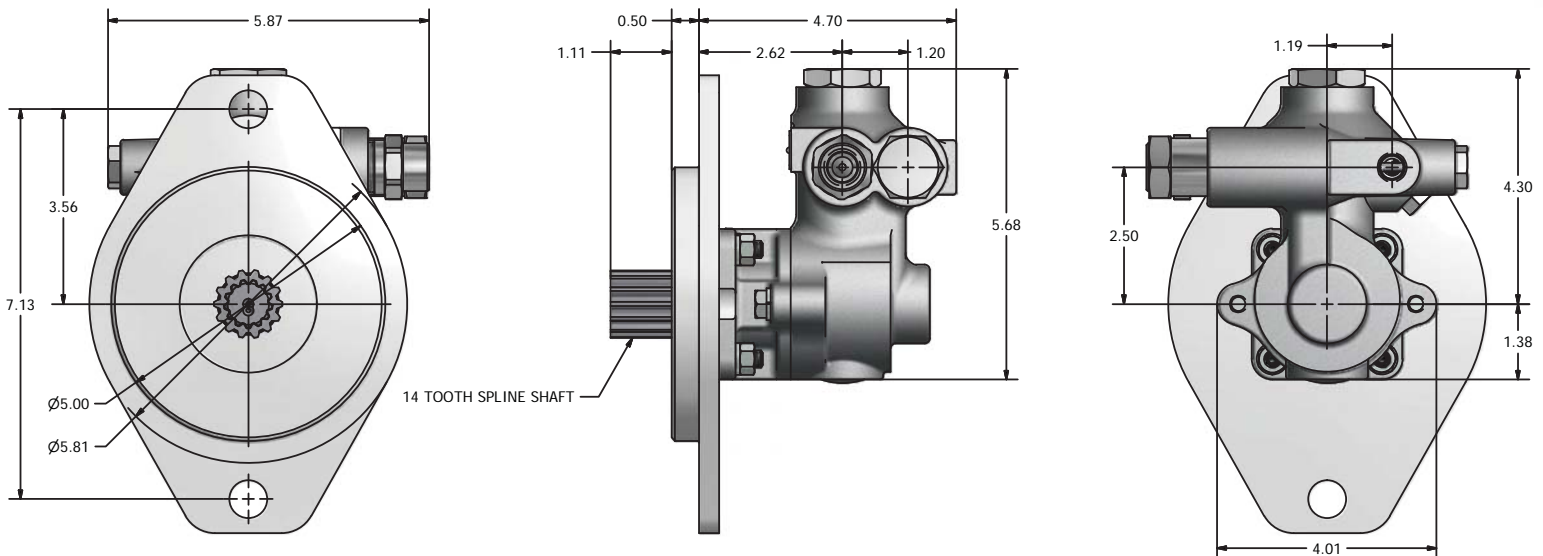
Pump Performance



Mounting Specifications

Model	Mounting Flange			Drive Shaft	
	ANSI	USA	SAE	ANSI	(SAE)*
RPA-308295	127-2	2F50	C	32-4	(C)

*Reference letters indicate the matching SAE mounting flange



FORM: RPA308295_A