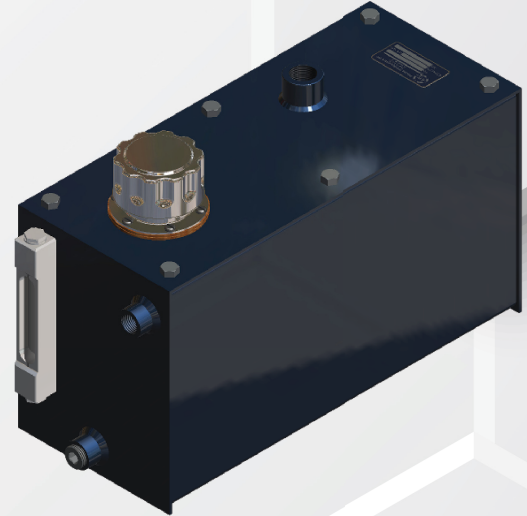


Product Specifications

Material:	Heavy Gage Steel
Construction:	Welded
Capacity:	7.5 gallons (28.4 liters)
Features:	Combo Sight and Temp Gage
Mounting Options:	Foot Mount or (2) BK-200429
Weight:	34.60 lbs (15.69 kgs)



General Dimensions

NOTE: Drawings not to scale.

