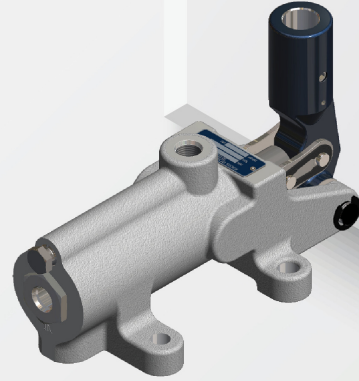


# HPA-300118

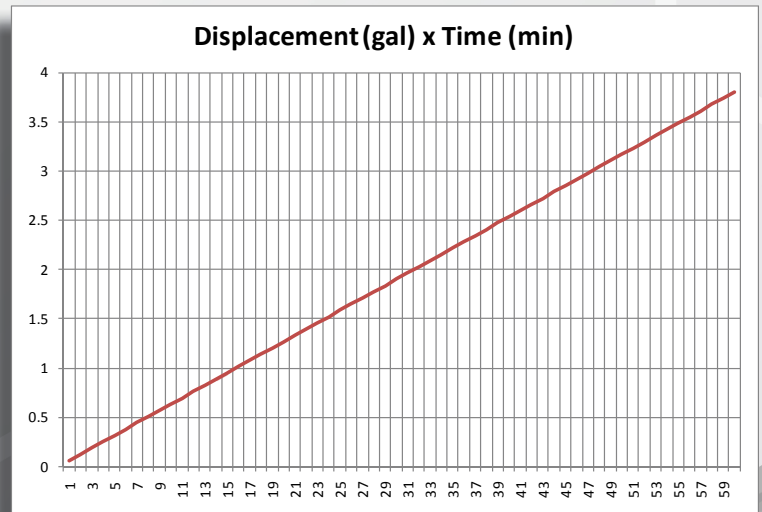
## HAND PUMP

### Product Specifications

Housing:	Aluminum
Piston:	Stainless Steel
Handle:	Cold Rolled Steel
O-ring seals:	Buna-N
Back-up rings:	Teflon
By-pass relief:	Manual
Displacement:	1.22 cu. in. (19.99 cu. cm.) per cycle
Weight (handle excluded):	5.8 lbs. (2.63 kg)
MAWP:	3000 psi (207 bar)
Force req'd at 3000 psi:	48.5 lbs. (22 kg)
Recommended Fluid:	Red hydraulic fluid (MIL-H-5606)
Inlet Connection:	SAE #6
Outlet Connection:	SAE #6
Seal Kit Part Number:	KT-202565
Service Kit:	KT-202565

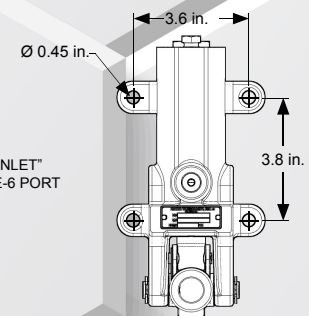
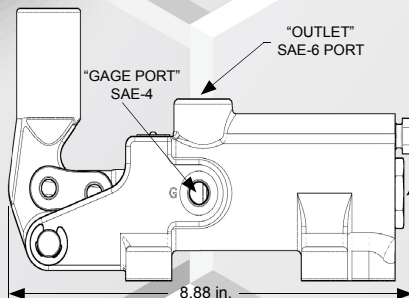
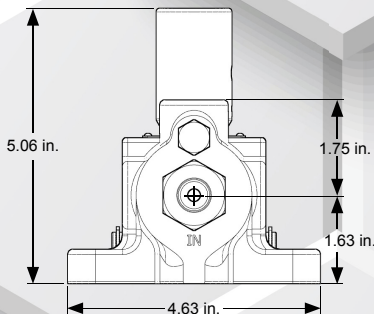


Also offered in  
Ductile Iron  
KTI Part Number:  
**HPA-308165**



Note: The graph shown assumes a user can complete one cycle (1.22 in<sup>3</sup>) every 5 seconds [12 cycles per minute] & remain consistent during a period of 60 minutes. Consult Kocsis Technologies, Inc. engineering for theoretical recharging time for your specific application.

### General Dimensions



Note: Overall height including handle is 39.25 in.

SSHPA300118\_C