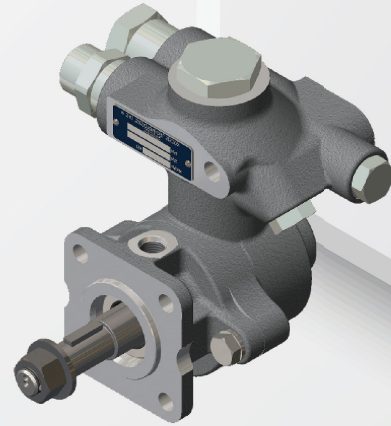


Product Specifications

Pump Type:	Fixed Displacement Piston Type
Rotation:	CW or CCW
Speed:	600 RPM to 3000 RPM*
Unloading Valve:	Integral and Pressure Adjustable
Normal Pressure Cut Out:	3000 psi (207 bar)
Normal Pressure Cut In:	2500 psi (172 bar)
Weight:	5.0 lbs. (2.26 kg)
MAWP:	3000 psi (207 bar)
Recommended Fluid:	Red hydraulic fluid (MIL-H-5606)
Inlet Connection:	SAE #6
Outlet Connection:	SAE #4
Return Connection:	SAE #4
Output Shaft:	Bolted End, No. 3 Woodruff Key
Service Kit:	KT-202788

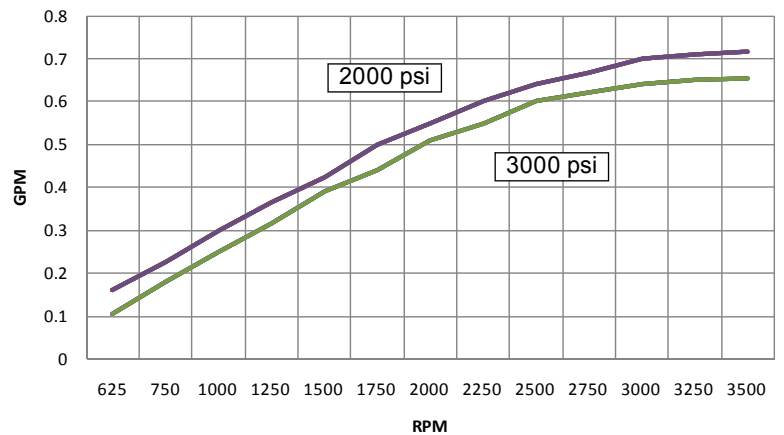


Mounting Specifications

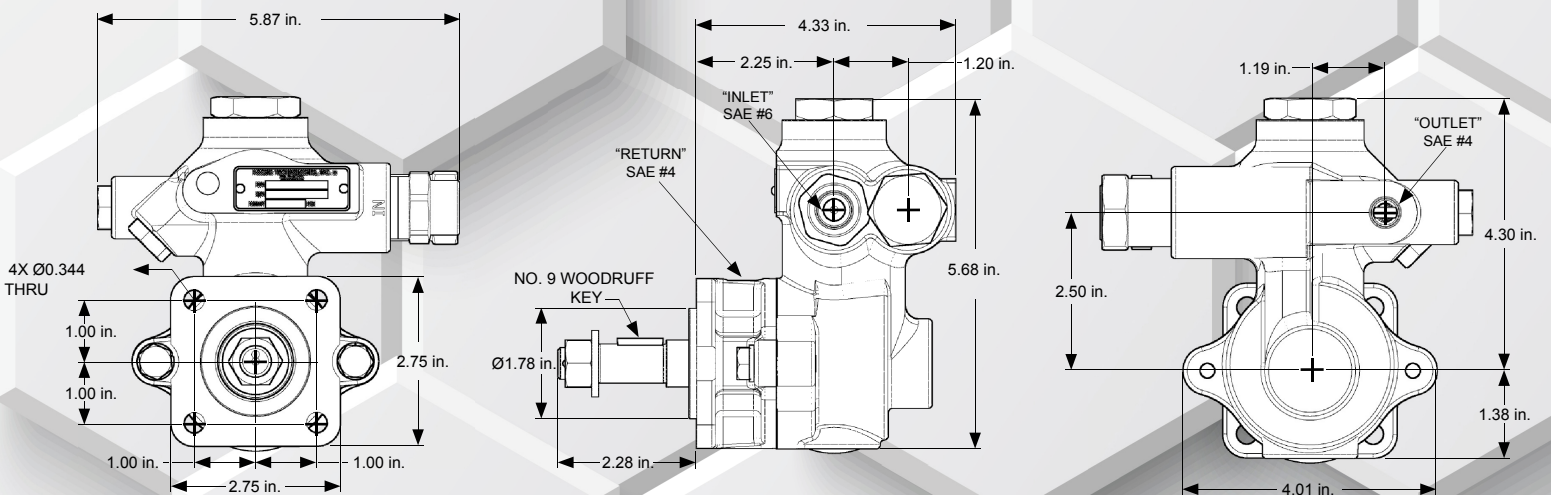
Model	Mounting Flange			Drive Shaft	
	ANSI	USA	SAE	ANSI	(SAE)*
RPA-300363	-	4F17	-	16-2	-

*Reference letters indicate the matching SAE mounting flange

Pump Performance



General Dimensions



SSRPA300363_C