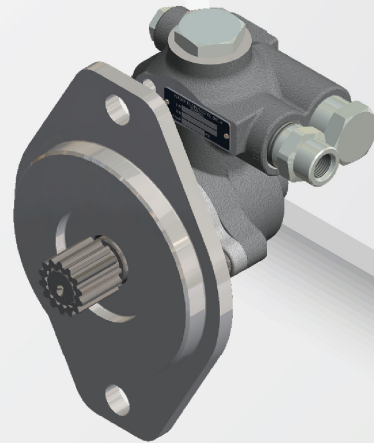


RPA-308295

RECHARGING PUMP

Product Specifications

Pump Type:	Fixed Displacement Piston Type
Rotation:	CW or CCW
Speed:	600 RPM to 3000 RPM*
Unloading Valve:	Integral and Pressure Adjustable
Normal Pressure Cut Out:	3000 psi (207 bar)
Normal Pressure Cut In:	2500 psi (172 bar)
Weight:	7.6 lbs. (3.5 kg)
MAWP:	3000 psi (207 bar)
Recommended Fluid:	Red hydraulic fluid (MIL-H-5606)
Inlet Connection:	SAE #6
Outlet Connection:	SAE #4
Return Connection:	SAE #4
Output Shaft:	13 Tooth Spline
Flange:	2 Bolt, SAE C
Service Kit:	KT-202788

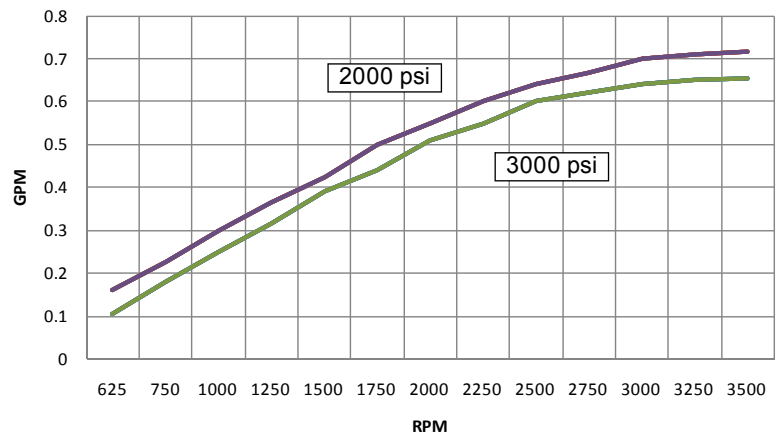


Mounting Specifications

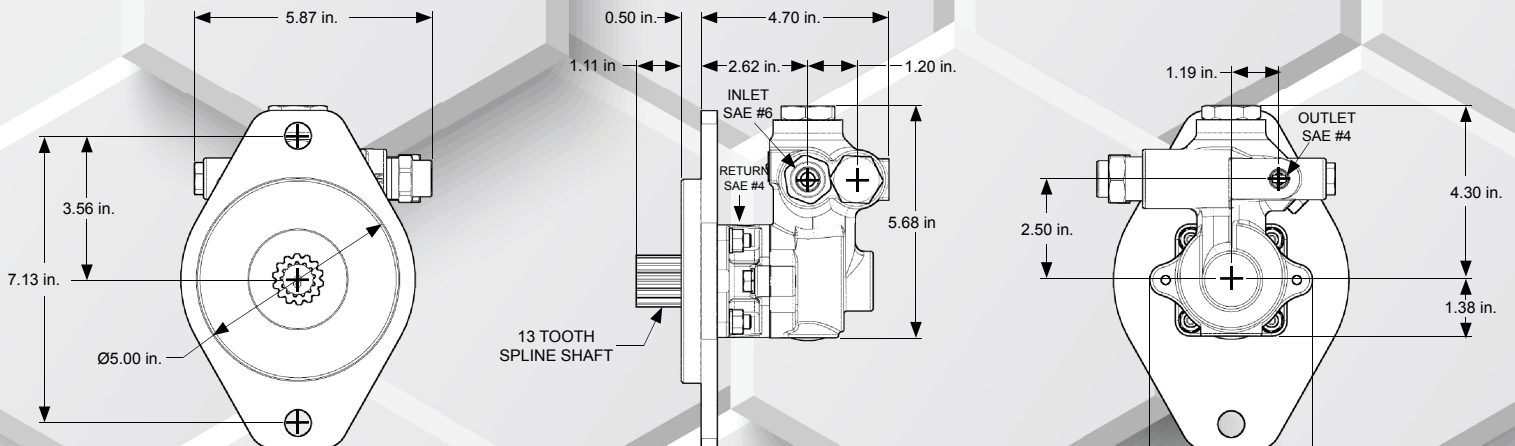
Model	Mounting Flange			Drive Shaft	
	ANSI	USA	SAE	ANSI	(SAE)*
RPA-308295	127-2	2F50	C	32-4	(C)

*Reference letters indicate the matching SAE mounting flange

Pump Performance



General Dimensions



SSRPA308295_C