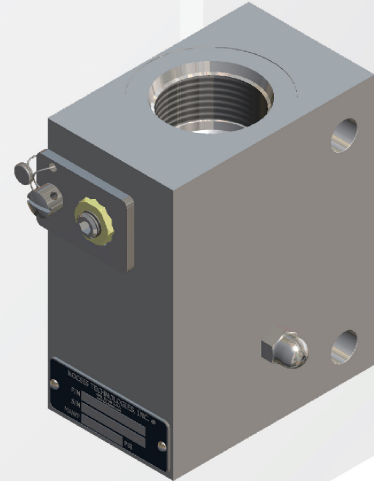
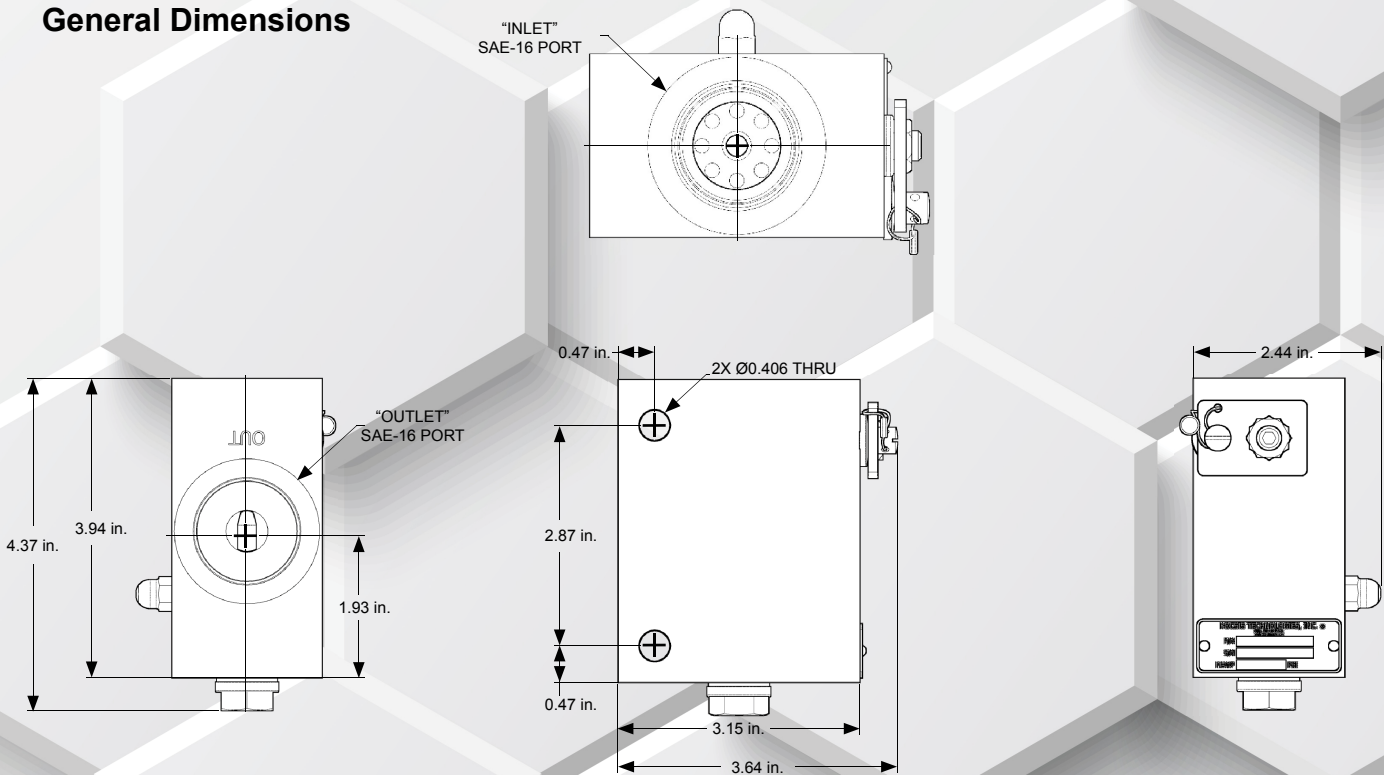


Product Specifications

Calibrated for Use With:	C Series/CMD-2A Starters
Housing Material:	Aluminum
Maximum Working Pressure:	3000 psi (206 bar)
Maximum Flow Rate:	52 GPM (200 l/min)
Weight:	2.3 lb. (1.04 kg)
Inlet Connection:	SAE-16
Outlet Connection:	SAE-16



General Dimensions



SSVA308231_C