

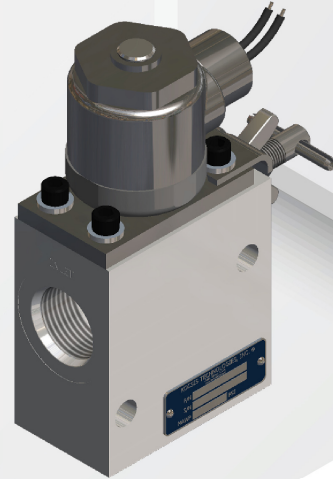
## Product Specifications

Housing Material:	Aluminum
Maximum Working Pressure:	3000 psi (206 bar)
Maximum Flow Rate:	40 GPM (151.42 l/min)
Weight:	3.0 lbs. (1.36 kg)
Inlet Connection:	SAE #12
Outlet Connection:	SAE #12

## Solenoid Variations

Part Number	Solenoid Specifications
VCA-300446-1	24 VDC
VCA-300446-2	115 VAC
VCA-300446-3	12 VDC

## SOLENOID CONTROL VALVE



Also offered in  
Ductile Iron  
KTI Part Number:  
**VCA-308171-1**

## General Dimensions

