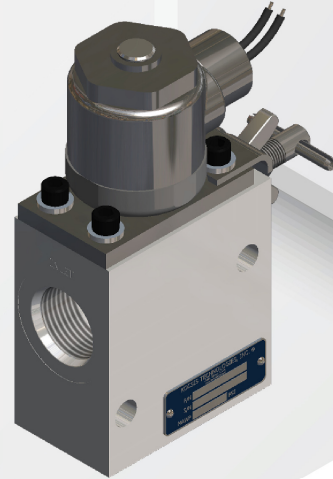


Product Specifications

Housing Material:	Aluminum
Maximum Working Pressure:	3000 psi (206 bar)
Maximum Flow Rate:	40 GPM (151.4 l/min)
Weight:	2.50 lbs. (1.13 kg)
Inlet Connection:	SAE #12
Outlet Connection:	SAE #12

Solenoid Variations

Part Number	Solenoid Specifications
VCA-308184-1	24 VDC
VCA-308184-2	115 VAC
VCA-308184-3	12 VDC



NEMA 4 Rated

Solenoid constructed for either indoor or outdoor use to provide a *degree* of protection to personnel against incidental contact with the enclosed equipment; to provide a *degree* of protection against falling dirt, rain, sleet, snow, windblown dust, splashing water, and hose-directed water; and that will be undamaged by the external formation of ice on the enclosure.

General Dimensions

