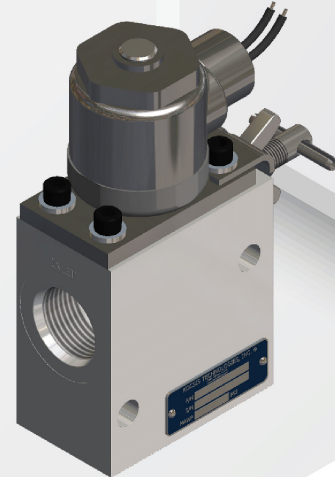


## Product Specifications

Housing Material:	Aluminum
Maximum Working Pressure:	3000 psi (206 bar)
Maximum Flow Rate:	40 GPM (151.4 l/min)
Weight:	3.10 lbs. (1.41 kg)
Inlet Connection:	SAE #12
Outlet Connection:	SAE #12

## Solenoid Variations

Part Number	Solenoid Specifications
VCA-308185-1	24 VDC
VCA-308185-2	115 VAC
VCA-308185-3	12 VDC



## NEMA 7 Rated

Solenoid constructed for use where fire or explosion hazards exist due to the presence of flammable gases or vapors, flammable liquids, combustible dust, or easily ignitable fibers.

## General Dimensions

