

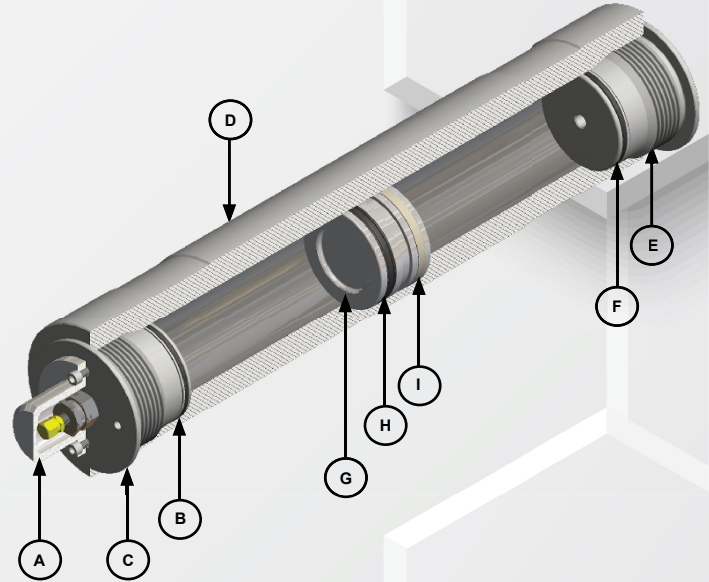
A20-10KSI

PISTON ACCUMULATORS

Product Specifications

Outside Diameter	3.75 in (95 mm)
Housing and End Cap Material	Steel
Standard Fluid Port	3/8 MP*
Piston Material	Aluminum
Sealing Material	Buna-N
Back-Up/Wear Ring Material	Teflon
Gas Valve Material	Stainless Steel
Max Working Pressure	10,000 psi (689 bar)
Proof Pressure	13,000 psi (896 bar)
Temperature Range	-20°F to 200°F (-28°C to 93°C)
Seal Kit Part Number (Buna)	TBD

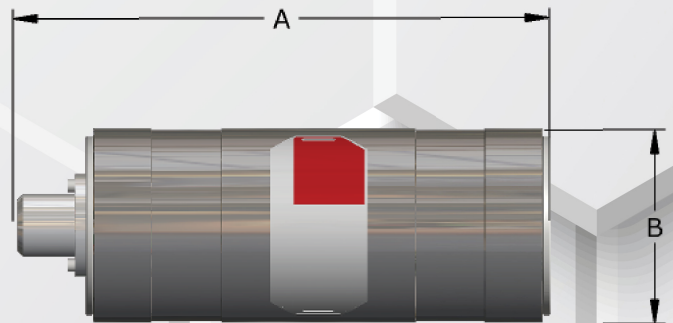
*Custom fluid ports and mounting configurations available.



Parts Breakdown

ITEM	DESCRIPTION	QTY
A	Air Valve Cover	1
B	Back-Up Ring	2
C	Gas Cap	1
D	Housing	1
E	Oil Cap	1
F	O-Ring	2
G	Piston	1
H	T-Seal	1
I	Wear Strip	1

NOTE: Nameplate included but not shown.



Note: Above drawings not to scale.

Model Variations

Model No.	Nominal Size		Dim A*		Dim B		Weight	
	gal	liter	in	mm	in	mm	lbs	kg
A20-0010-10K-B-06MP	0.04	0.15	9.63	245	3.75	95	20	9.1
A20-0029-10K-B-06MP	1/8	0.47	15.75	400	3.75	95	40	18.1
A20-0058-10K-B-06MP	1/4	0.95	25.00	635	3.75	95	61	27.7
A20-0116-10K-B-06MP	1/2	1.89	43.38	1102	3.75	95	102	46.3

*Length shown includes 1.656" for gas valve

Also Available in Stainless Steel and with ASME Approval