

# A60-10KSI

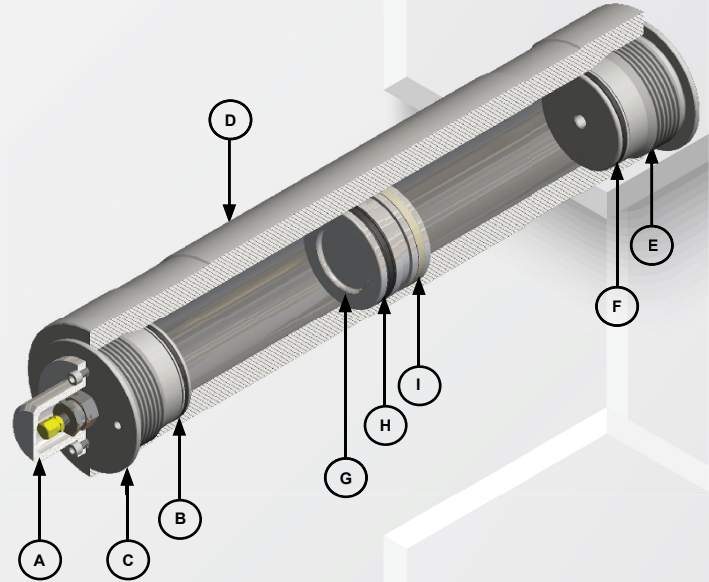
## PISTON ACCUMULATORS

### Product Specifications

Outside Diameter	10.75 in (273 mm)
Housing and End Cap Material	Steel
Standard Fluid Port	9/16 MP*
Piston Material	Aluminum
Sealing Material	Buna-N
Back-Up/Wear Ring Material	Teflon
Gas Valve Material	Stainless Steel
Max Working Pressure	10,000 psi (689 bar)
Proof Pressure	13,000 psi (896 bar)
Temperature Range	20°F to 200°F (-6°C to 93°C)**
Seal Kit Part Number (Buna)	TBD

\*Custom fluid ports and mounting configurations available.

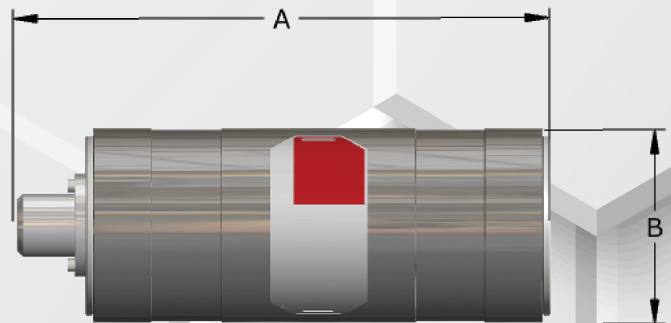
\*\*Charpy Testing Required



### Parts Breakdown

ITEM	DESCRIPTION	QTY
A	Air Valve Cover	1
B	Back-Up Ring	2
C	Gas Cap	1
D	Housing	1
E	Oil Cap	1
F	O-Ring	2
G	Piston	1
H	T-Seal	1
I	Wear Strip	1

NOTE: Nameplate included but not shown.



Note: Above drawings not to scale.

### Model Variations

Model No.	Nominal Size		Dim A*		Dim B		Weight	
	gal	liter	in	mm	in	mm	lbs	kg
A60-0462-10K-B-09MP	2	7.57	31.50	800	10.75	273	661	300
A60-1155-10K-B-09MP	5	18.93	56.00	1422	10.75	273	1096	497

\*Length shown includes 1.656" for gas valve

*Also Available in Stainless Steel and with ASME Approval*