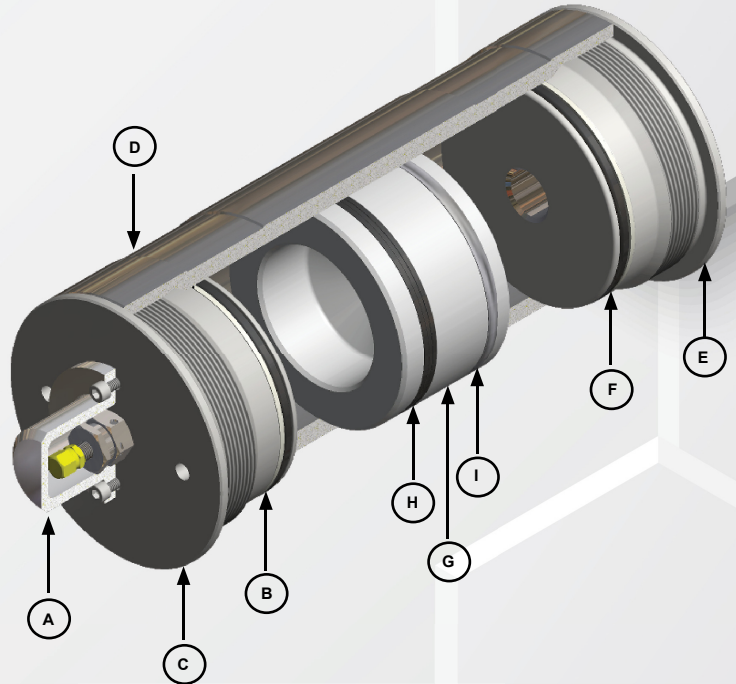


### Product Specifications

Outside Diameter	4-3/4 in (121 mm)
Housing and End Cap Material	Steel
Standard Fluid Port	SAE #16 O-Ring*
Piston Material	Aluminum
Sealing Material	Buna-N
Back-Up/Wear Ring Material	Teflon
Gas Valve Material	Stainless Steel
Max Working Pressure	3000 psi (206 bar)
Proof Pressure	3900 psi (269 bar)
Temperature Range	0°F to 200°F (-18°C to 93°C)
Seal Kit Part Number (Buna)	KT-207416

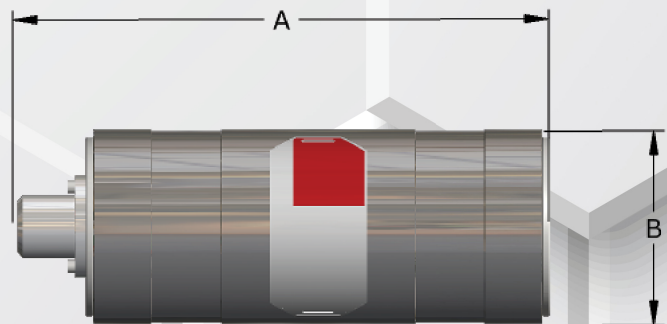
\*Custom fluid ports and mounting configurations available.



### Parts Breakdown

ITEM	DESCRIPTION	QTY
A	Air Valve Cover	1
B	Back-Up Ring	2
C	Gas Cap	1
D	Housing	1
E	Oil Cap	1
F	O-Ring	2
G	Piston	1
H	T-Seal	1
I	Wear Strip	1

NOTE: Nameplate included but not shown.



Note: Above drawings not to scale.

### Model Variations

Model No.	Nominal Size		Dim A*		Dim B		Weight	
	gal	liters	in	mm	in	mm	lbs	kg
A40-0058-3K-B-16S	0.25	0.95	13.00	330.20	4.75	120.65	33	15
A40-0116-3K-B-16S	0.50	1.90	17.50	444.50	4.75	120.65	39	18
A40-0231-3K-B-16S	1.00	3.79	26.75	679.45	4.75	120.65	53	24
A40-0347-3K-B-16S	1.50	5.68	35.75	908.05	4.75	120.65	66	30
A40-0462-3K-B-16S	2.00	7.57	45.00	1143.00	4.75	120.65	79	36
A40-0578-3K-B-16S	2.50	9.46	54.25	1377.95	4.75	120.65	93	42
A40-0693-3K-B-16S	3.00	11.36	63.50	1612.90	4.75	120.65	106	48

\*Length shown includes 1.656" for gas valve