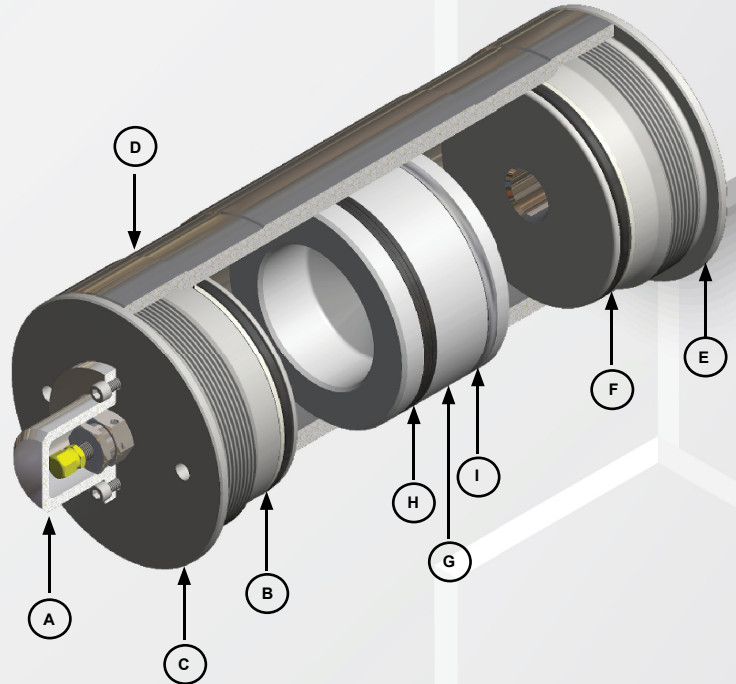


Product Specifications

Outside Diameter	5-1/2 in (140 mm)
Housing and End Cap Material	Steel
Standard Fluid Port	SAE #16 O-Ring*
Piston Material	Aluminum
Sealing Material	Buna-N
Back-Up/Wear Ring Material	Teflon
Gas Valve Material	Stainless Steel
Max Working Pressure	5000 psi (345 bar)
Proof Pressure	6500 psi (448 bar)
Temperature Range	-20°F to 200°F (-29°C to 93°C)
Seal Kit Part Number (Buna)	KT-207416

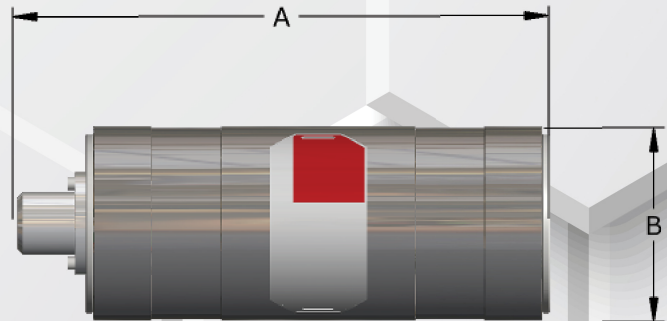
*Custom fluid ports and mounting configurations available.



Parts Breakdown

ITEM	DESCRIPTION	QTY
A	Air Valve Cover	1
B	Back-Up Ring	2
C	Gas Cap	1
D	Housing	1
E	Oil Cap	1
F	O-Ring	2
G	Piston	1
H	T-Seal	1
I	Wear Strip	1

NOTE: Nameplate included but not shown.



Note: Above drawings not to scale.

Model Variations

Model No.	Nominal Size		Dim A*		Dim B		Weight	
	gal	liters	in	mm	in	mm	lbs	kg
A40-0058-5K-B-16S	0.25	0.95	14.16	359.67	5.5	139.7	63	29
A40-0116-5K-B-16S	0.50	1.89	18.66	473.96	5.5	139.7	77	35
A40-0213-5K-B-16S	1.00	3.79	27.91	708.91	5.5	139.7	107	49
A40-0347-5K-B-16S	1.50	5.68	37.16	943.86	5.5	139.7	136	62
A40-0462-5K-B-16S	2.00	7.57	46.16	1172.46	5.5	139.7	165	75
A40-0578-5K-B-16S	2.50	9.46	55.41	1407.41	5.5	139.7	194	88
A40-0693-5K-B-16S	3.00	11.36	64.66	1642.36	5.5	139.7	224	102

*Length shown includes 1.656" for gas valve