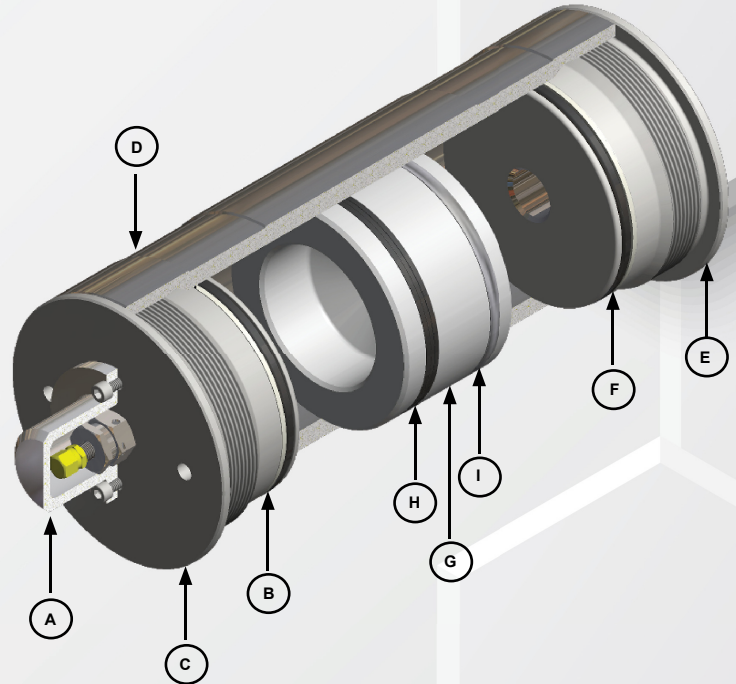


Product Specifications

Outside Diameter	6-3/4 in (171 mm)
Housing and End Cap Material	Steel
Standard Fluid Port	SAE #20 O-Ring*
Piston Material	Aluminum
Sealing Material	Buna-N
Back-Up/Wear Ring Material	Teflon
Gas Valve Material	Stainless Steel
Max Working Pressure	3000 psi (206 bar)
Proof Pressure	3900 psi (269 bar)
Temperature Range	0°F to 200°F (-18°C to 93°C)
Seal Kit Part Number (Buna)	KT-206357

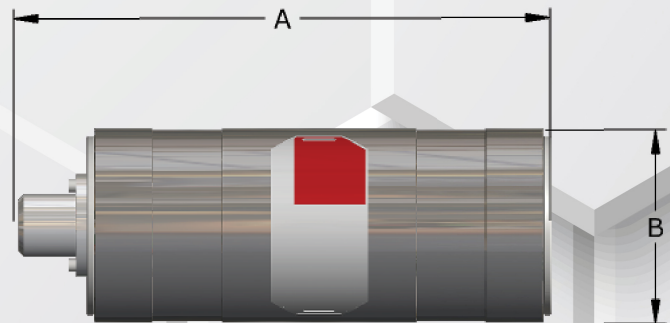
*Custom fluid ports and mounting configurations available.



Parts Breakdown

ITEM	DESCRIPTION	QTY
A	Air Valve Cover	1
B	Back-Up Ring	2
C	Gas Cap	1
D	Housing	1
E	Oil Cap	1
F	O-Ring	2
G	Piston	1
H	T-Seal	1
I	Wear Strip	1

NOTE: Nameplate included but not shown.



Note: Above drawings not to scale.

Model Variations

Model No.	Nominal Size		Dim A*		Dim B		Weight	
	gal	liters	in	mm	in	mm	lbs	kg
A60-0231-3K-B-20S	1.00	3.79	18.38	466.85	6.75	171.45	80	36
A60-0347-3K-B-20S	1.50	5.68	21.75	552.45	6.75	171.45	87	39
A60-0462-3K-B-20S	2.00	7.57	26.47	672.60	6.75	171.45	96	44
A60-0578-3K-B-20S	2.50	9.46	30.63	778.00	6.75	171.45	106	48
A60-1155-3K-B-20S	5.00	18.93	50.88	1292.35	6.75	171.45	149	68
A60-1733-3K-B-20S	7.50	28.39	71.38	1813.05	6.75	171.45	193	88
A60-2310-3K-B-20S	10.00	37.85	91.88	2333.75	6.75	171.45	237	108

*Length shown includes 1.656" for gas valve