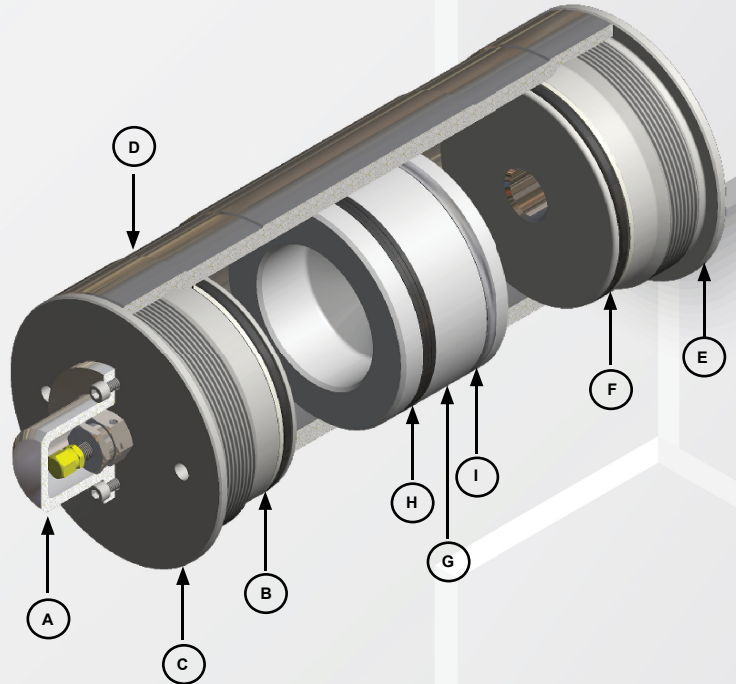


### Product Specifications

Outside Diameter	9-1/4 in (235 mm)
Housing and End Cap Material	Steel
Standard Fluid Port	SAE #20 O-Ring*
Piston Material	Aluminum
Sealing Material	Buna-N
Back-Up/Wear Ring Material	Teflon
Gas Valve Material	Stainless Steel
Max Working Pressure	5000 psi (345 bar)
Proof Pressure	6500 psi (448 bar)
Temperature Range	36°F to 200°F (2°C to 93°C)
Seal Kit Part Number (Buna)	KT-207800

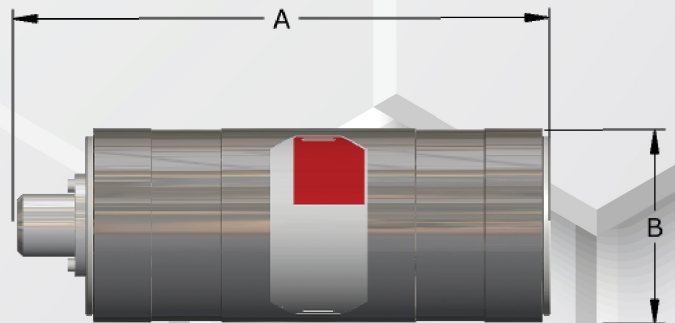
\*Custom fluid ports and mounting configurations available.



### Parts Breakdown

ITEM	DESCRIPTION	QTY
A	Air Valve Cover	1
B	Back-Up Ring	2
C	Gas Cap	1
D	Housing	1
E	Oil Cap	1
F	O-Ring	2
G	Piston	1
H	T-Seal	1
I	Wear Strip	1

NOTE: Nameplate included but not shown.



Note: Above drawings not to scale.

### Model Variations

Model No.	Nominal Size		Dim A*		Dim B		Weight	
	gal	liters	in	mm	in	mm	lbs	kg
A70-1155-5K-B-20S	5.00	18.93	42.66	1083.56	9.25	234.95	429	195
A70-1733-5K-B-20S	7.50	23.39	57.66	1464.56	9.25	234.95	551	250
A70-2310-5K-B-20S	10.00	37.85	72.66	1845.56	9.25	234.95	674	306
A70-3465-5K-B-20S	15.00	56.78	102.66	2607.56	9.25	234.95	918	416
A70-4620-5K-B-20S	20.00	75.71	132.66	3369.56	9.25	234.95	1163	528

\*Length shown includes 1.656" for gas valve