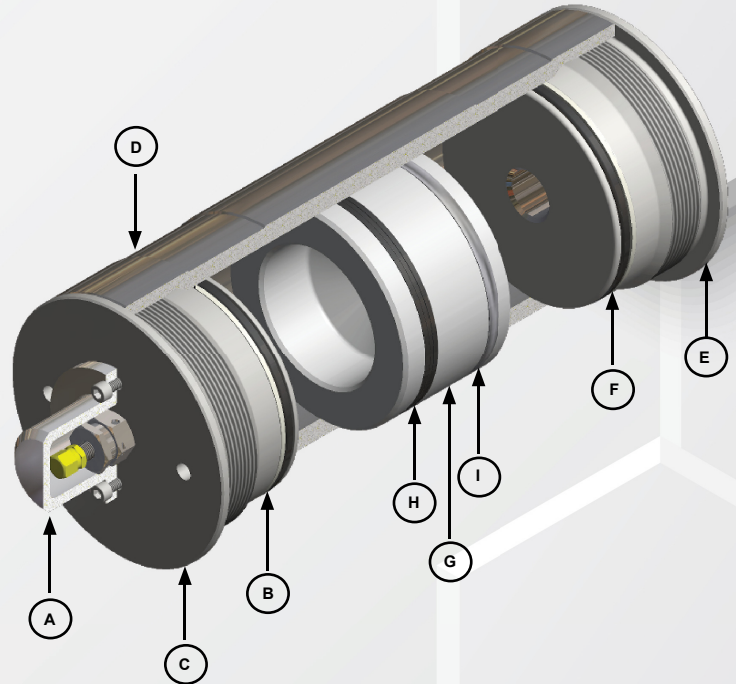


Product Specifications

Outside Diameter	8 in (203 mm)
Housing and End Cap Material	Steel
Standard Fluid Port	SAE #20 O-Ring*
Piston Material	Aluminum
Sealing Material	Buna-N
Back-Up/Wear Ring Material	Teflon
Gas Valve Material	Stainless Steel
Max Working Pressure	5000 psi (345 bar)
Proof Pressure	6500 psi (448 bar)
Temperature Range	-20°F to 200°F (-29°C to 93°C)
Seal Kit Part Number (Buna)	KT-206357

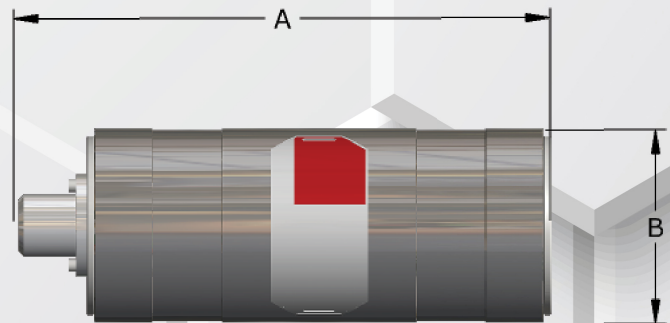
*Custom fluid ports and mounting configurations available.



Parts Breakdown

ITEM	DESCRIPTION	QTY
A	Air Valve Cover	1
B	Back-Up Ring	2
C	Gas Cap	1
D	Housing	1
E	Oil Cap	1
F	O-Ring	2
G	Piston	1
H	T-Seal	1
I	Wear Strip	1

NOTE: Nameplate included but not shown.



Note: Above drawings not to scale.

Model Variations

Model No.	Nominal Size		Dim A*		Dim B		Weight	
	gal	liters	in	mm	in	mm	lbs	kg
A60-0231-5K-B-20S	1.00	3.79	19.41	493.01	8.0	203.2	171	78
A60-0347-5K-B-20S	1.50	5.68	23.41	594.61	8.0	203.2	196	89
A60-0462-5K-B-20S	2.00	7.57	27.41	696.21	8.0	203.2	221	100
A60-1155-5K-B-20S	5.00	18.93	51.91	1318.51	8.0	203.2	374	170
A60-1733-5K-B-20S	7.50	28.39	72.41	1839.21	8.0	203.2	502	228
A60-2310-5K-B-20S	10.00	37.85	92.91	2359.91	8.0	203.2	630	286

*Length shown includes 1.656" for gas valve