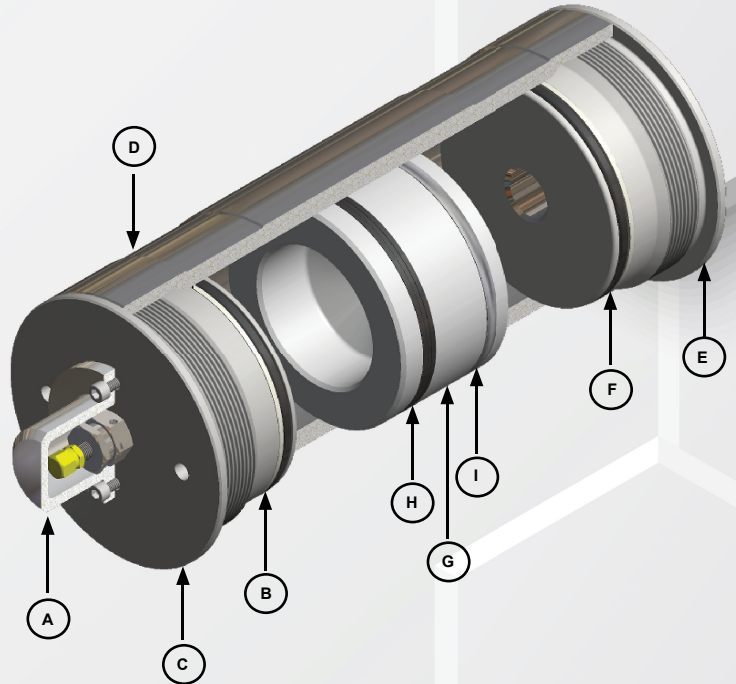


Product Specifications

Outside Diameter	8-1/8 in (206 mm)
Housing and End Cap Material	Steel
Standard Fluid Port	SAE #20 O-Ring*
Piston Material	Aluminum
Sealing Material	Buna-N
Back-Up/Wear Ring Material	Teflon
Gas Valve Material	Stainless Steel
Max Working Pressure	3000 psi (206 bar)
Proof Pressure	3900 psi (269 bar)
Temperature Range	20°F to 200°F (-7°C to 93°C)
Seal Kit Part Number (Buna)	KT-207800

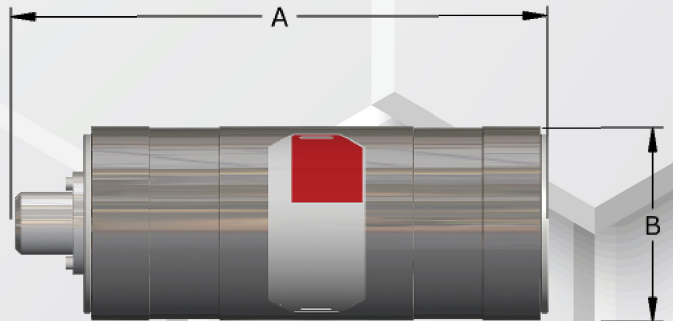
*Custom fluid ports and mounting configurations available.



Parts Breakdown

ITEM	DESCRIPTION	QTY
A	Air Valve Cover	1
B	Back-Up Ring	2
C	Gas Cap	1
D	Housing	1
E	Oil Cap	1
F	O-Ring	2
G	Piston	1
H	T-Seal	1
I	Wear Strip	1

NOTE: Nameplate included but not shown.



Note: Above drawings not to scale.

Model Variations

Model No.	Nominal Size		Dim A*		Dim B		Weight	
	gal	liters	in	mm	in	mm	lbs	kg
A70-1155-3K-B-20S	5.00	18.93	42.22	1072.39	8.125	206.375	233	106
A70-1733-3K-B-20S	7.50	28.39	57.22	1453.39	8.125	206.375	290	132
A70-2310-3K-B-20S	10.00	37.85	72.22	1834.39	8.125	206.375	342	155
A70-3465-3K-B-20S	15.00	56.78	92.47	2349.74	8.125	206.375	461	209

*Length shown includes 1.656" for gas valve