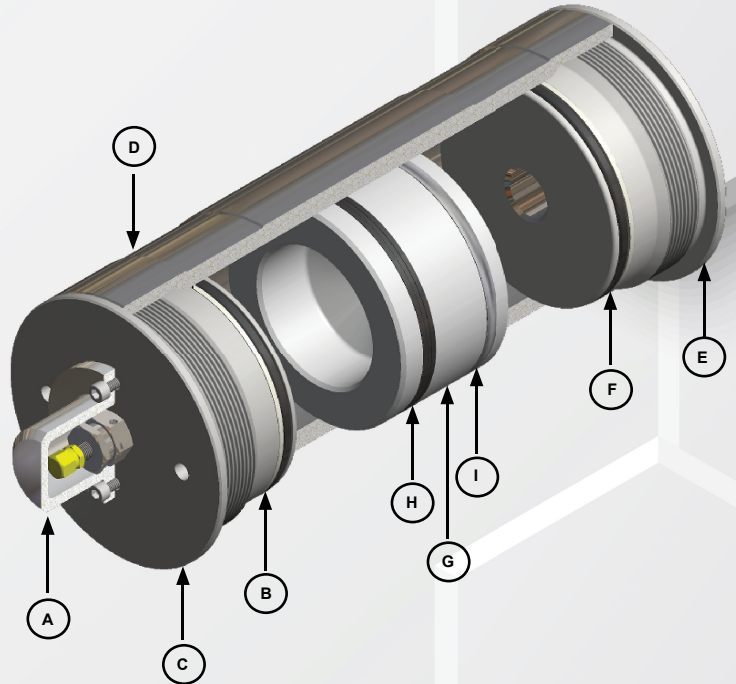


### Product Specifications

Outside Diameter	11 in (279 mm)
Housing and End Cap Material	Steel
Standard Fluid Port	SAE #32 O-Ring*
Piston Material	Aluminum
Sealing Material	Buna-N
Back-Up/Wear Ring Material	Teflon
Gas Valve Material	Stainless Steel
Max Working Pressure	3000 psi (206 bar)
Proof Pressure	3900 psi (269 bar)
Temperature Range	31°F to 200°F (-6°C to 93°C)
Seal Kit Part Number (Buna)	KT-208579

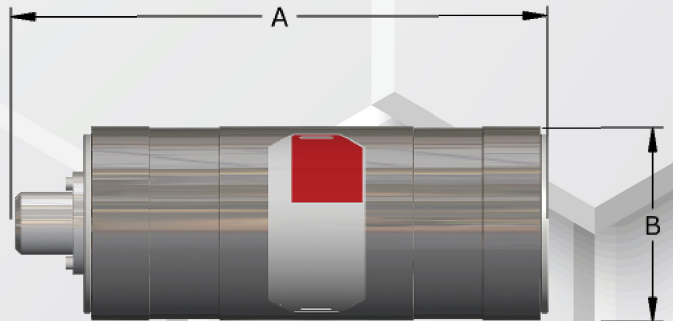
\*Custom fluid ports and mounting configurations available.



### Parts Breakdown

ITEM	DESCRIPTION	QTY
A	Air Valve Cover	1
B	Back-Up Ring	2
C	Gas Cap	1
D	Housing	1
E	Oil Cap	1
F	O-Ring	2
G	Piston	1
H	T-Seal	1
I	Wear Strip	1

NOTE: Nameplate included but not shown.



Note: Above drawings not to scale.

### Model Variations

Model No.	Nominal Size		Dim A*		Dim B		Weight	
	gal	liters	in	mm	in	mm	lbs	kg
A90-2310-3K-B-32S	10.00	37.85	54.98	1396.49	11	279.4	592	269
A90-3465-3K-B-32S	15.00	56.78	72.98	1853.69	11	279.4	757	343
A90-4620-3K-B-32S	20.00	75.71	91.23	2317.24	11	279.4	920	417
A90-5775-3K-B-32S	25.00	94.64	109.48	2780.79	11	279.4	1083	491
A90-6930-3K-B-32S	30.00	113.56	127.48	3237.99	11	279.4	1243	564

\*Length shown includes 1.656" for gas valve