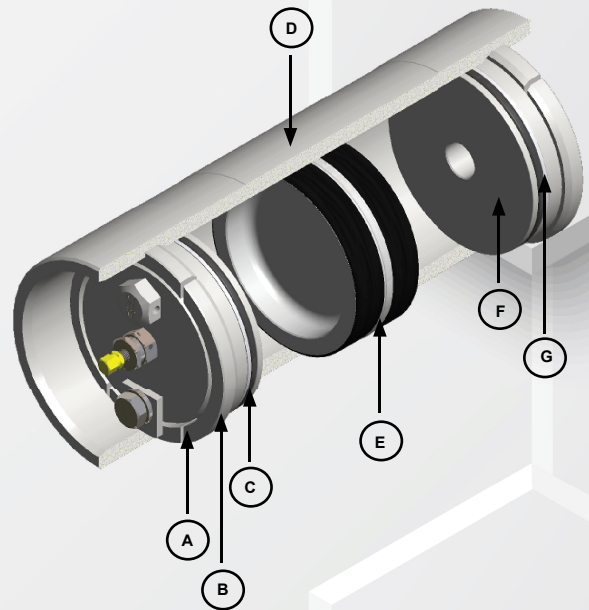


Product Specifications

Outside Diameter	5.6 in (142 mm)
Housing and End Cap Material	Steel
Standard Fluid Port	3/4" NPTF
Piston Material	Aluminum
Sealing Material	Buna-N
Back-Up/Wear Ring Material	Teflon
Gas Valve Material	Stainless Steel
Max Working Pressure	5000 psi (345 bar)
Proof Pressure	6500 psi (448 bar)
Temperature Range	0°F to 200°F (-18°C to 93°C)
Seal Kit Part Number (Buna)	KT-208855

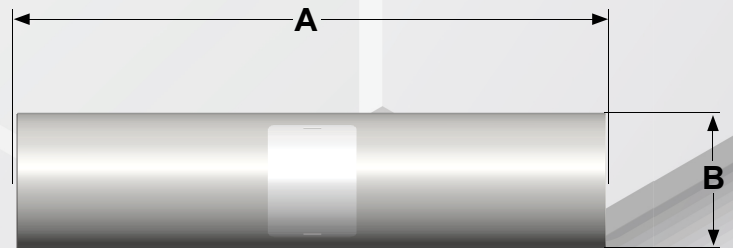
*Custom fluid ports and mounting configurations available.



Parts Breakdown

ITEM	DESCRIPTION	QTY
A	Segment Rings	2
B	Gas Cap	1
C	O-Ring	2
D	Housing	1
E	Unitized Piston Assembly	1
F	Oil Cap	1
G	Back-Up Rings	2

NOTE: Nameplate included but not shown.



Note: Above drawings not to scale.

Model Variations

Model No.	Nominal Size		Dim A*		Dim B		Weight	
	gal	liters	in	mm	in	mm	lbs	kg
ACB5C-12P-NT-4	0.50	1.89	14.00	355.60	5.60	142.24	44	20
ACB10C-12P-NT-4	1.00	3.79	19.75	501.65	5.60	142.24	57	26
ACB15C-12P-NT-4	1.50	5.68	25.00	635.00	5.60	142.24	68	31
ACB20C-12P-NT-4	2.00	7.57	33.25	844.55	5.60	142.24	85	39
ACB25C-12P-NT-4	2.50	9.46	40.50	1028.70	5.60	142.24	104	47
ACB30C-12P-NT-4	3.00	11.36	45.00	1143.00	5.60	142.24	115	52