

Product Specifications

Housing and End Cap Material	Steel
ACB15C-7111C Port Size	3/8" NPTF
ACB30C-7109C Port Size	3/8" NPTF
ACB30C-7110C Port Size	3/4" NPTF
Piston Material	Aluminum
Sealing Material	Buna-N
Back-Up/Wear Ring Material	Teflon
Gas Valve Material	Stainless Steel
Max Working Pressure	3,000 psi (206 bar)
Proof Pressure	3,900 psi (269 bar)
Temperature Range	-7°F to 200°F (-22°C to 93°C)
Seal Kit Part Number (Buna)	KT-208855
Fuse Kit Assembly Part Number	KT-208498**

*Custom fluid ports and mounting configurations available.

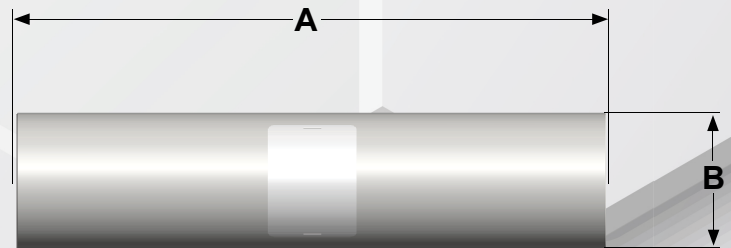
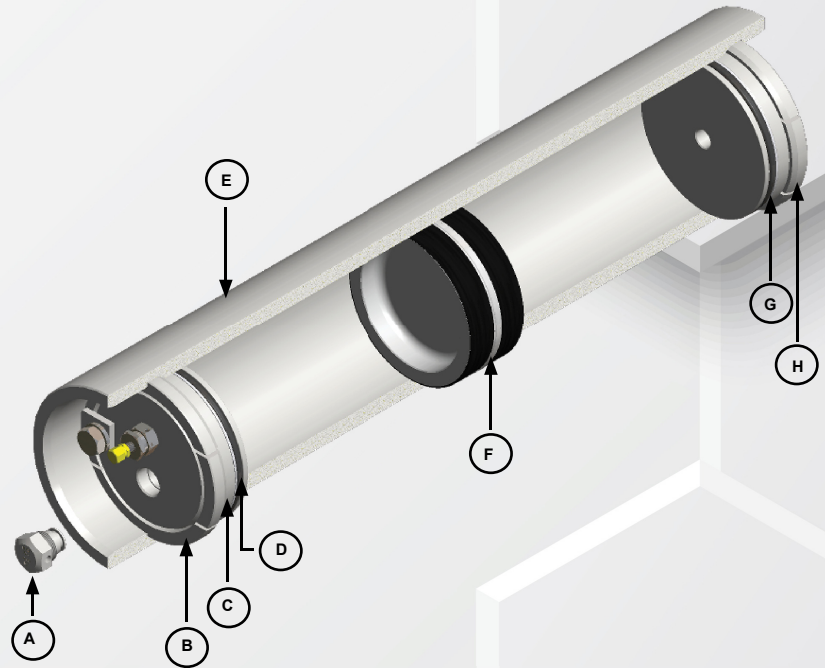
**Fuse kit assembly must be purchased with accumulator.

Parts Breakdown

ITEM	DESCRIPTION	QTY
A	Fuse Assembly*	1
B	Segment Rings	2
C	Gas Cap	1
D	O-Ring	2
E	Housing	1
F	Unitized Piston Assembly	1
G	Back-Up Rings	2
H	Oil Cap	1

*Supplied separately, installed by customer.

NOTE: Nameplate included but not shown.



Note: Above drawings not to scale.

**Certified ASME
Pressure Vessel**



**Recognized by U.S.
Coast Guard**



Model Variations

Model No.	Nominal Size		Dim A*		Dim B		Weight	
	gal	liters	in	mm	in	mm	lbs	kg
ACB15C-7111C	1.50	5.68	25.00	635.00	5.75	146.05	75	34
ACB30C-7109C	3.00	11.36	45.00	1143.00	5.75	146.05	121	55
ACB30C-7110C	3.00	11.36	45.00	1143.00	5.75	146.05	121	55