

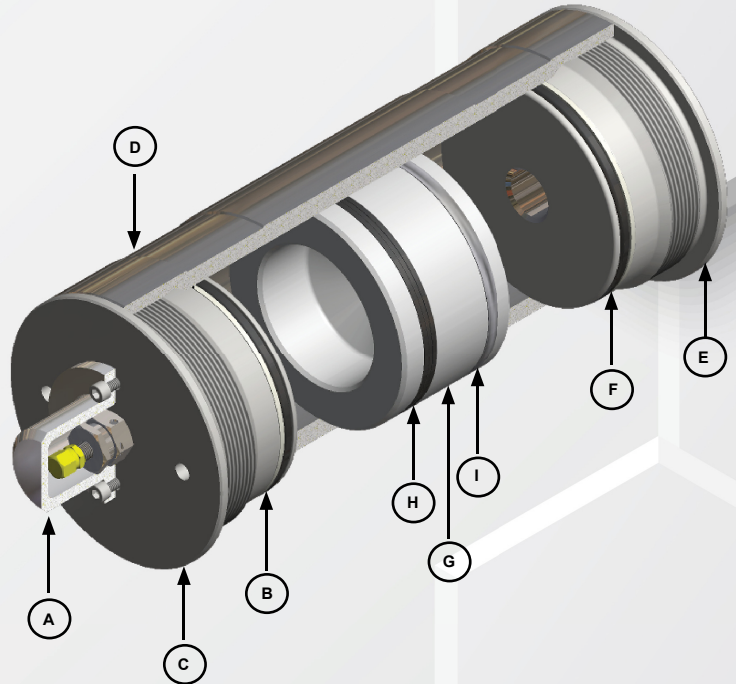
# A120-3KSI

## PISTON ACCUMULATORS

### Product Specifications

Outside Diameter	14.50 in (368 mm)
Housing and End Cap Material	Carbon Steel
Standard Fluid Port	SAE #32 O-Ring*
Piston Material	Aluminum
Sealing Material	Buna-N
Back-Up/Wear Ring Material	Teflon
Gas Valve Material	Stainless Steel
Max Working Pressure	3000 psi (206 bar)
Proof Pressure	3900 psi (269 bar)
Temperature Range	-20°F to 200°F (-29°C to 93°C)
Seal Kit Part Number (Buna)	KT-208399

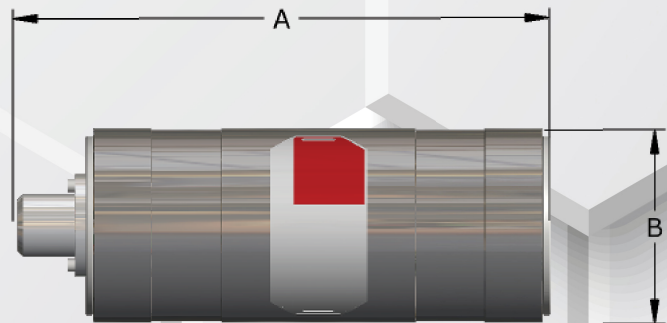
\*Custom fluid ports and mounting configurations available.



### Parts Breakdown

ITEM	DESCRIPTION	QTY
A	Air Valve Cover	1
B	Back-Up Ring	2
C	Gas Cap	1
D	Housing	1
E	Oil Cap	1
F	O-Ring	2
G	Piston	1
H	T-Seal	1
I	Wear Strip	1

NOTE: Nameplate included but not shown.



Note: Above drawings not to scale.

### Model Variations

Model No.	Nominal Size		Dim A*		Dim B		Weight	
	gal	liters	in	mm	in	mm	lbs	kg
A120-4620-3K-B-32S	20.00	75.72	60.91	1547	14.50	368	1309	594
A120-6930-3K-B-32S	30.00	113.58	81.16	2061	14.50	368	1608	729
A120-9240-3K-B-32S	40.00	151.41	101.66	2582	14.50	368	1911	867
A120-11550-3K-B-32S	50.00	189.27	122.16	3106	14.50	368	2214	1004

\*Length shown includes 1.656" for gas valve